



BUSINESS MUSIC

RCF Sound Culture

RCF is one of the oldest manufacturers of professional audio equipment, loudspeakers, electronics, DSP, and custom solutions for any sound and place.

Since 1949, RCF has been committed to the perfect reproduction and amplification of sound for events and concerts, recording, public address, broadcast, and Hi-Fi/portable audio. Italian design excellence in the audio universe. All products and components design and development take place in-house to ensure maximum quality and reliability. The comprehensive catalog covers all aspects of the audio chain and meets musicians, sound engineers, architects, and system integrators' requirements.

Innovation comes first and foremost, thanks to the RCF R&D team, creators of many original products and technologies, such as the hyper-venting system, the inside/outside voice coil, the dual silicone spiders, and countless mechanical, digital, and leading-edge electronic solutions. RCF is always at the forefront of new technologies and materials, providing tools, documentation, technical support, and training to help professionals deliver the best sound to the listener. RCF has always shared its engineers' knowledge, experience, and skills in training all audio professionals and enthusiasts. Simultaneously, the internal support engineering team is on hand to assist architects, system designers, or integrators during the design and customization of complex systems.

The solid technical expertise built on nearly 70 years of history, the modern Italian manufacturing facility, and the continuous technological improvement make RCF an essential reference for all audio professionals and enthusiasts. You can find RCF everywhere, in concert venues, recording studios, airports, conference halls, discotheques, public spaces, clubs, cruises, or in the hands and houses of countless musicians.



/ INTEGRATION

RCF is one of only a few loudspeaker manufacturers worldwide who completely manufactures transducers, speaker systems and amplification and control electronics. Our portfolio is one of the most comprehensive in the market place today offering true integrated audio solutions.

/ QUALITY FIRST

The success of our products starts with the design and the choice of the highest quality components. Each detail of an RCF product is realized following the strictest design and construction criteria, which guarantee maximum performance in all circumstances and maximum reliability over time.

New perspective on linearity



FIRPHASE

When paired with RCF digital matrix amplifiers, RCF BUSINESS MUSIC speakers feature an advanced FIR filtering technology, conceived to deliver transparent sound, absolute clarity, and perfect stereo images to the listener. The special FIRPHASE filters allow for coherent distribution of sound for all listeners without phase distortions, ensuring minimum latencies in the system.

Networked management



RDNET READY

The RCF RDNET software is the perfect tool to configure and manage RCF units in any venue. It helps to monitor and control all DSP settings and ensure the best system's performance. RDNET is a secure and robust management tool for small, medium, and large-sized systems and complex and extended installations. Based on a proprietary network protocol RDNET, it provides straightforward monitoring and intuitive control of the RCF audio system down to every connected device/object.



/ SOLUTION PROVIDER

/ CUSTOMERS SUPPORT

From architectural design and industry standard speakers to digital steerable arrays, from compact near field two-way systems to large horn-loaded formats, all RCF solutions designed for fixed installations uncompromised sound performance together with components highest quality and conformity to all required international standards.

RCF has always been committed in providing complete support to its customers helping them to choose the most suitable solutions for their projects. The involvement in complex projects around the world is continually raising the know-how and experience of our team, considered one of the best Engineering Support Group in our industry.

RCF Business Music

COMPLETE AUDIO SOLUTIONS

The RCF BUSINESS MUSIC range marks a new standard in high-quality music reinforcement. Scalable and flexible architectures, providing architects and installers with application-focused products conceived for both background and foreground music. It is the perfect solution from small to large installations, distributing several audio feeds in multiple environments, each with specific volume and equalization needs.



/ IMPROVE THE AUDIO ATMOSPHERE

Music nurtures engagement and improves the feeling of hospitality provided by the environment. All products designed for BUSINESS MUSIC applications offer optimal background performance preserving the same quality even in high-powered foreground music.

/ DISCREET POWER

Our designers maintain a strong focus on simplicity without compromising usability. The smooth and subtle design perfectly blends with any architecture without compromising sound performance and installation ease.

The target application range is extensive and varies from retail stores to bars and restaurants, meeting rooms, education, sport or public facilities, and in general, to any A/V application. From small to large systems, the RCF BUSINESS MUSIC range provides the smartest solution, blending uncompromised sound quality, full processing features, exceptional power, easy configuration, and high scalability.



/ EASY AND FLEXIBLE CONFIGURATION

Flexible and easy for any user, the configuration is crucial for the success of a sound reinforcement system. BUSINESS MUSIC line offers different configuration levels, from the user-friendly front panel control interface to remote RDNet control for large and complex systems.

/ SCALABLE ARCHITECTURE

Control units can distribute multiple audio channels to satellite units on a single CAT5 cable: this allows an increase of the installed power and creates a multi-room architecture, with easy devices connection.

DMA

DIGITAL MATRIX AMPLIFIER

TWO CHANNELS MATRIX AMPLIFIER

DMA is a two channels Class-D mixer amplifier equipped with a powerful DSP platform, allowing managing inputs and outputs in terms of routing and equalization: a complete set of processing functions is available, including PEQ, FIR filters, bass enhancement, limiters, compressors and environmental equalization.

Moreover, specific presets for RCF speakers have been implemented, and can be selected to optimize their acoustic performance.

DMA features an extremely compact size and accurate design that, together with its environmental robustness, make it ideal for a wide range of applications, from retail stores to bars and restaurants, meeting rooms, education or public facilities, and more in general to any A/V application. Moreover, it is suitable for both desk top or rack installation (thanks to the dedicated optional accessory).

Each unit offers 2 stereo LINE inputs on RCA connectors and 1 MIC+LINE balanced input on removable screw terminals. A LINE output is also

available, with low pass filter facility for the connection to an active subwoofer.

A dedicated paging input on RJ 45 connector allows the connection of up to 4 paging consoles BM 404, interlocked on a single chain.

A wall mount remote control RC 401 can be connected to each output channel to adjust volume level and select the desired input.

DMA can distribute 4 audio channels to satellite DPA units on a single CAT5 cable BUS, combining a flexible and scalable multi-room architecture with an easy connection and installation.

Configuration is also very user friendly, and can be done through the front panel controls (with OLED display), or RDNet (using the optional board).



- Class-D power amplifier
- 20 ÷ 20000 Hz frequency range
- Full on-board processing
- RCF speakers presets
- **FIRPHASE**
- Proprietary bass enhancer algorithm
- RDNet ready

- Suitable for desktop or rack installation (optional accessory required)
- Flexible and scalable multi-room architecture
- MUTE command for the connection to Voice Alarm Systems
- 44x213x314 mm - 1.73"x8.39"x12.36" (HxWxD)
- 3 kg - 6.61 lb



DMA 82

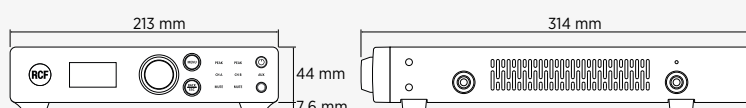
2 x 80 W RMS power handling (@ 4 ohm)

p.n. 12100026

DMA 162

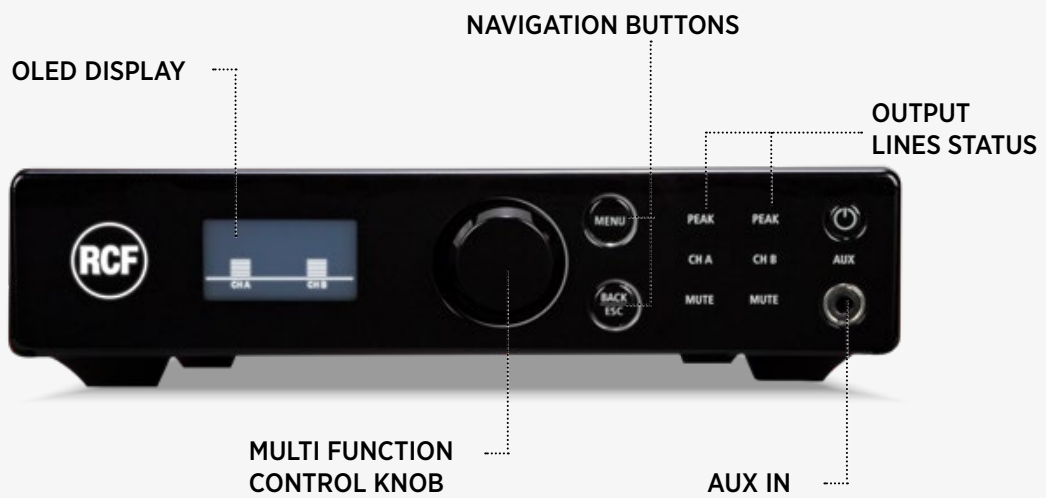
2 x 160 W RMS power handling (@ 4 ohm)

p.n. 12100027

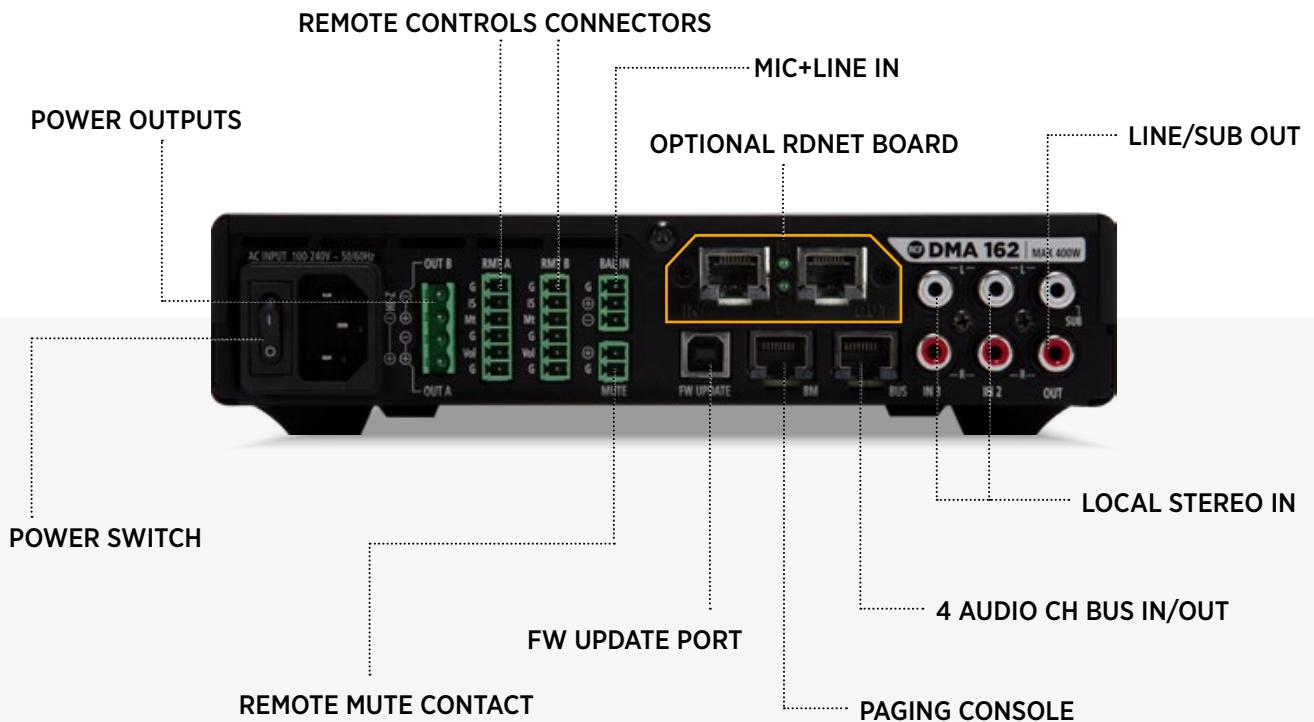




FRONT PANEL



REAR VIEW



162P

DIGITAL POWER AMPLIFIERS

TWO CHANNELS POWER AMPLIFIER

DMA 162P is a two channels class-D power amplifier, equipped with on-board signal processing. Its natural use is in combination with a DMA 82 or DMA 162P unit, in order to increase Commercial Audio systems installed

power and to implement multi-room architectures. However, its configurability, control tools and available inputs allow to use it as a stand alone amplifier.

DMA 162P features an extremely compact size and accurate design that, together with its environmental robustness, make it ideal for a wide range of business music applications, from retail stores to bars and restaurants, meeting rooms, education or public facilities, and more in general to any A/V application. It offers easy configuration through DIPSWITCH or

(optional) RDNet board.

DMA 162P can receive processed audio signal from DMA unit on a 4 channels audio BUS (2 mono or 1 stereo), or in alternative, it is possible to select the local stereo LINE input using the dedicated contact. A LINE output is also available, with low pass filter facility for the connection to an active subwoofer.

Configuration is easy and flexible, and can be done with DIP-SWITCH on the rear panel, or RDNet (using the optional board).



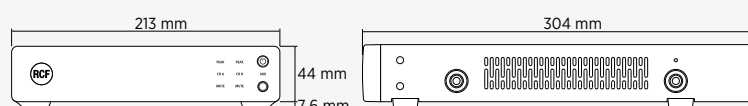
- 2 x 160W RMS Class-D power amplifier
- 20 ÷ 20000 Hz frequency range
- Full on-board processing
- **FIRPHASE**
- RCF speakers presets
- Proprietary bass enhancer algorithm
- Flexible and scalable multi-room architecture
- Suitable for desk-top or rack installation
- MUTE command for the connection to Voice Alarm Systems
- 44x213x304 mm - 1.73"x8.39"x11.97" (HxWxD)
- 4 kg - 8.82 lb



DMA 162P

320 W RMS power handling (@ 4 ohm)

p.n. 12100028

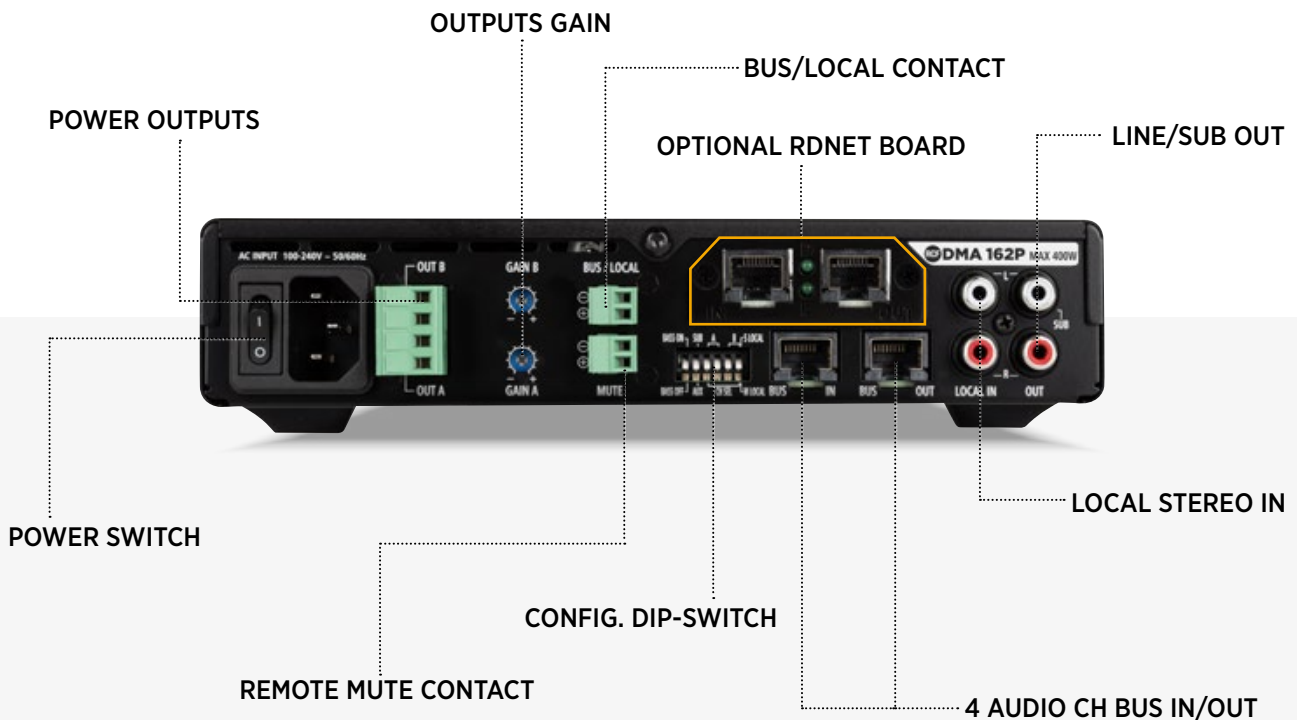




FRONT PANEL



REAR VIEW



DMA ACCESSORIES

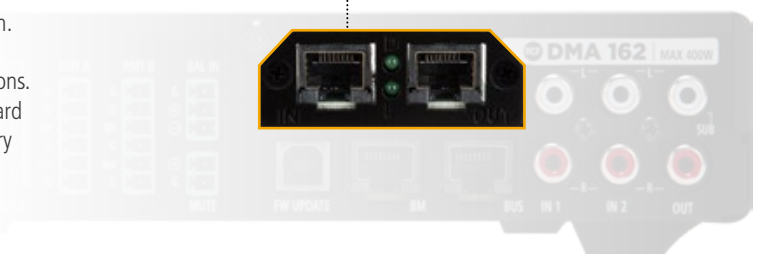


OPTIONAL RNet BOARD

The RCF RNet is the perfect tool to configure and manage DMA units setup in any venues. The software helps to monitor and control all DSP setting and to secure the best performance of the system configuration. RNet is a secure and robust management for small, medium, and arena-sized sound systems as well as complex and extended installations. Based on a proprietary network protocol RNet provides straightforward monitoring and intuitive control of the RCF audio system down to every connected device/object.

RNET BOARD DMA/DPA

p.n. 12399048



UNITS CONNECTION

DMA units can distribute 4 audio channels to DMA 162P satellite units. This allows to increase the installed power and create a multi-room architecture. Connection can be done with just 1 CAT 5 CABLE. Each DMA 162P unit can be differently set (using the DIP-SWITCH on the rear panel) to receive the desired channels.



RM-KIT DMA - RACK MOUNT KIT

It is an accessory allows to install one or two DMA amplifier units inside standard 19" rack cabinets. In case of a single amplifier, a blind panel is included to close the empty half rack unit. It also includes a set of brackets for amplifier wall mount installation.

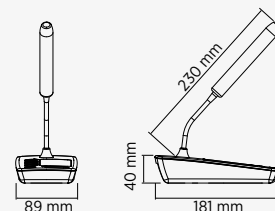


p.n. 13360426



BM 404 - DESKTOP PAGING CONSOLE

BM 404 is a paging console that can be connected to DMA units. Up to four consoles can be connected to the same unit, interlocked in the same chain. BM 404 allows both general and selective calls.

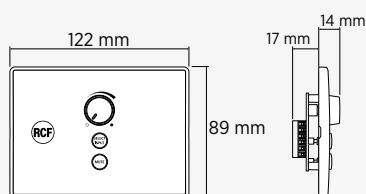


BM 404

p.n. 14322031

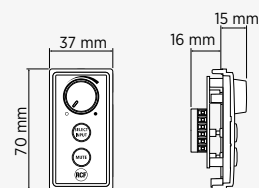
RC 401 - WALL MOUNT REMOTE CONTROL

RC 401 is a wall mount remote that works in combination with DMA units. It can be connected to each DMA power output and allows adjusting the output volume, muting it or selecting the desired input program. Available in black and white colour.



RC 401 EU B p.n. 12399051 (EU) Black

RC 401 EU W p.n. 12399052 (EU) White



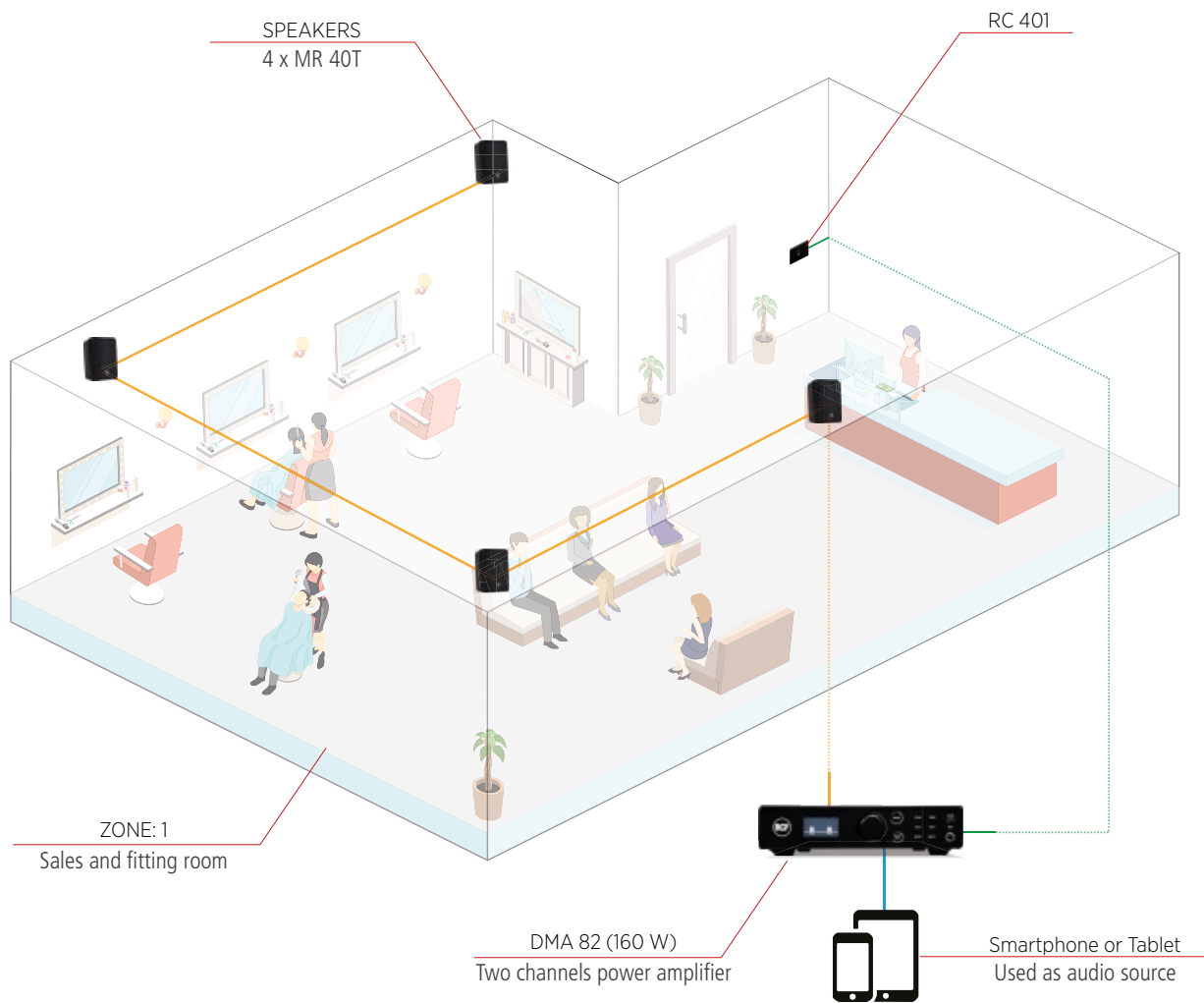
RC 401 US B p.n. 12399053 (US) Black

RC 401 US W p.n. 12399054 (US) White

APPLICATION EXAMPLES

SMALL SHOP

Background music in a small area such as a beauty salon, small store, bookshop and similar.



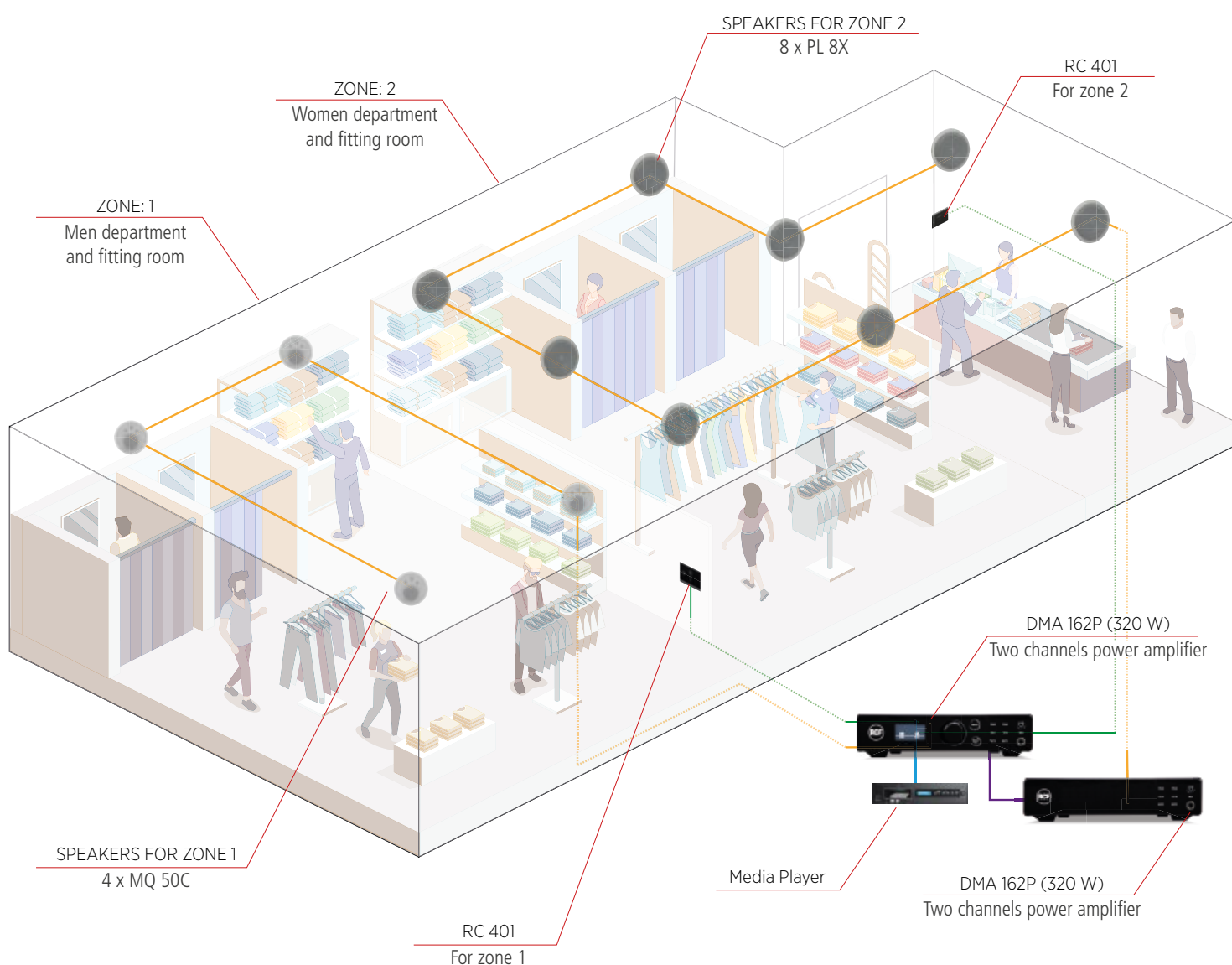
ZONES	AMPLIFIER	POWER	OUT LINES	LOUDSPEAKERS	ZONES	ACCESSORIES
1	DMA 82	160 W	HI IMP.	4 x MR 40T or 4 x MQ 50C or 4 x MF 33EN	SALES FITTING ROOM	RC 401

— Amplifier output — Audio input — Accessories



LARGE RETAIL SHOP

Background and Foreground music in a large retail shop. Separated women and men sales areas and fitting rooms, with different music programs.



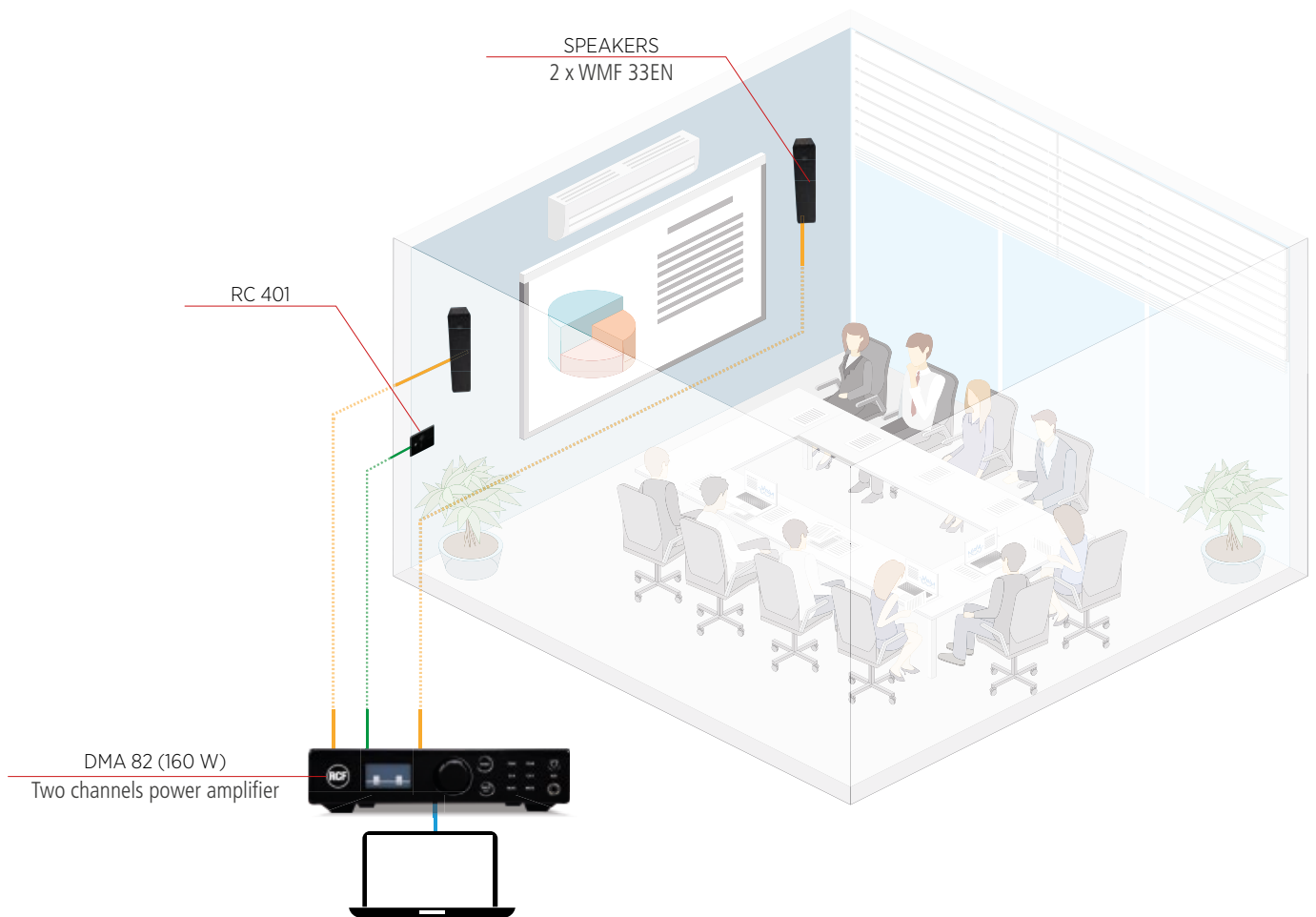
ZONES	AMPLIFIER	POWER	OUT LINES	LOUDSPEAKERS	ZONES	ACCESSORIES
2	DMA 162	320 W	LOW IMP.	4 x MQ 50C	MEN	2 X RC 401
	DMA 162P	320 W	HI IMP.	8 x PL 8X	WOMEN	

— Amplifier output
 — Audio input
 — Accessories
 — 4 channels audio bus

APPLICATION EXAMPLES

MEETING ROOM

Multimedia application in a meeting room or a corporate space.



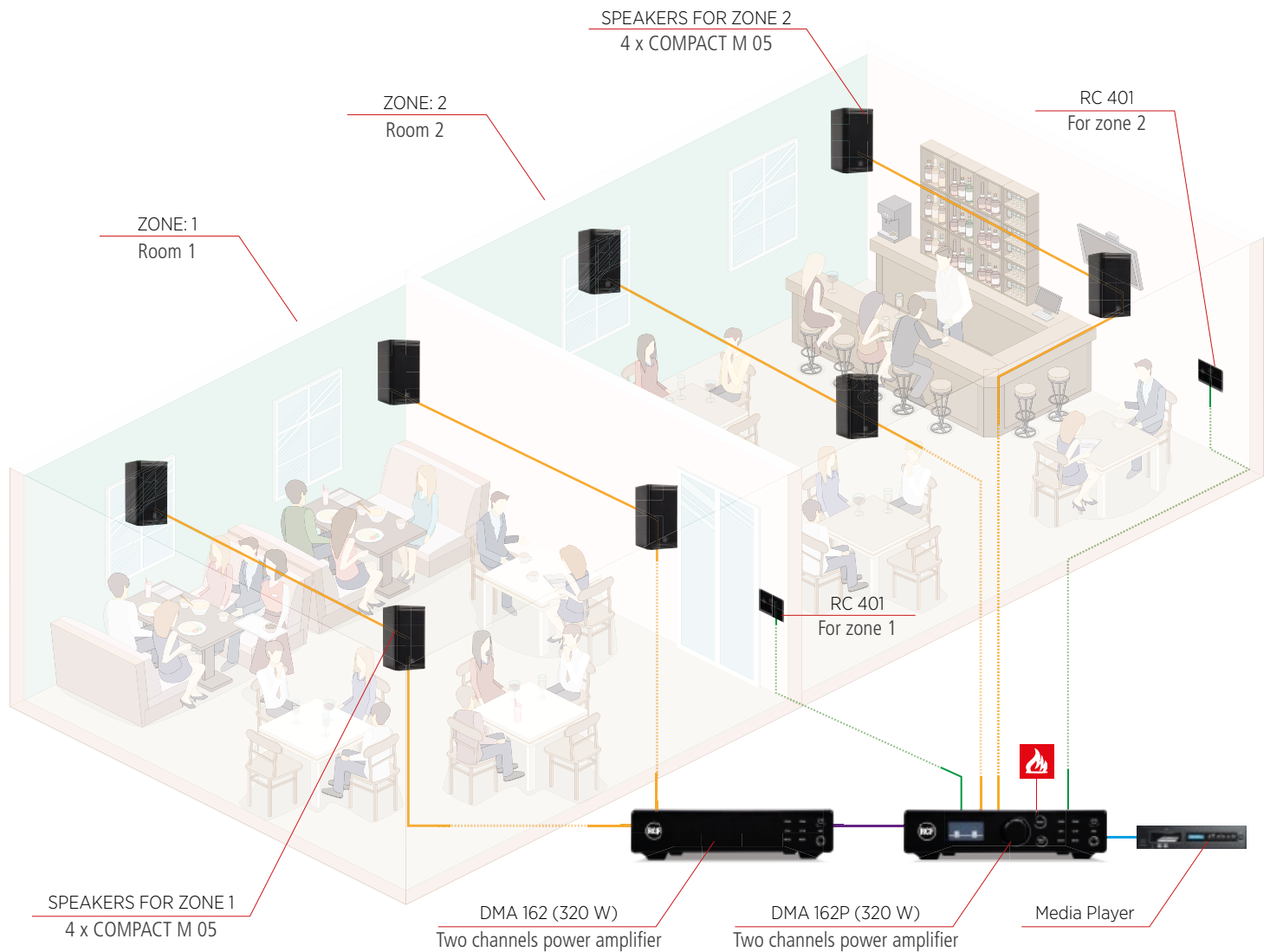
ZONES	AMPLIFIER	POWER	OUT LINES	LOUDSPEAKERS	ZONES	ACCESSORIES
1	DMA 82	2 x 80 W	LOW IMP.	2 x WMF 33EN	MEETING ROOM	RC 401

— Amplifier output — Audio input — Accessories



BAR AND PUB

Sound reinforcement in a bar/pub with two rooms and two music programs.



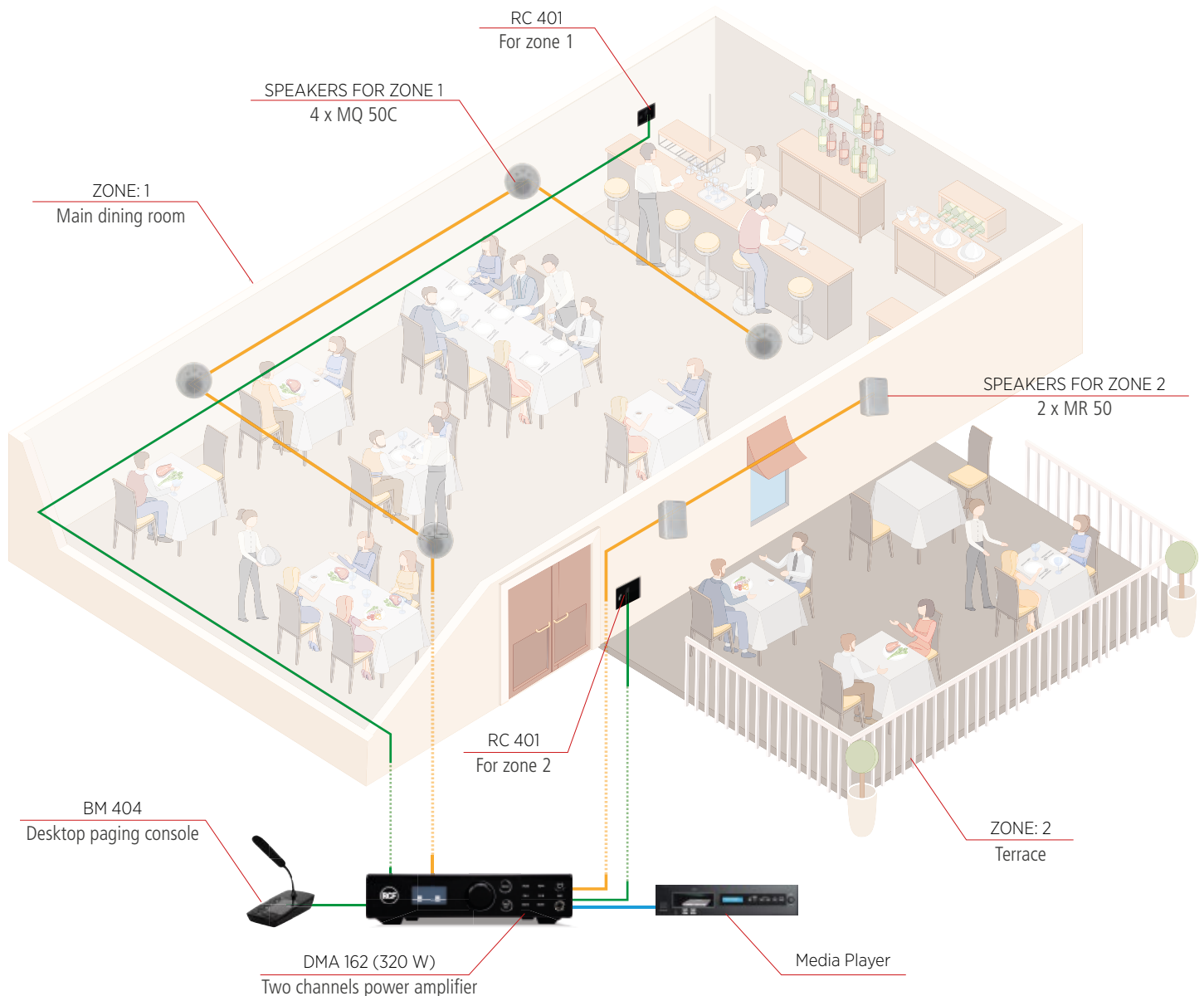
ZONES	AMPLIFIER	POWER	OUT LINES	LOUDSPEAKERS	ZONES	ACCESSORIES
2	DMA 162	2 x 160 W	LOW IMP.	4 x COMPACT M 05	ROOM 1	RC 401
	DMA 162P	2 x 160 W		4 x COMPACT M 05	ROOM 2	RC 401

— Amplifier output — Audio input — Accessories — 4 channels audio bus — Mute Command From

APPLICATION EXAMPLES

RESTAURANT

Background music in a restaurant with two or more dining areas.



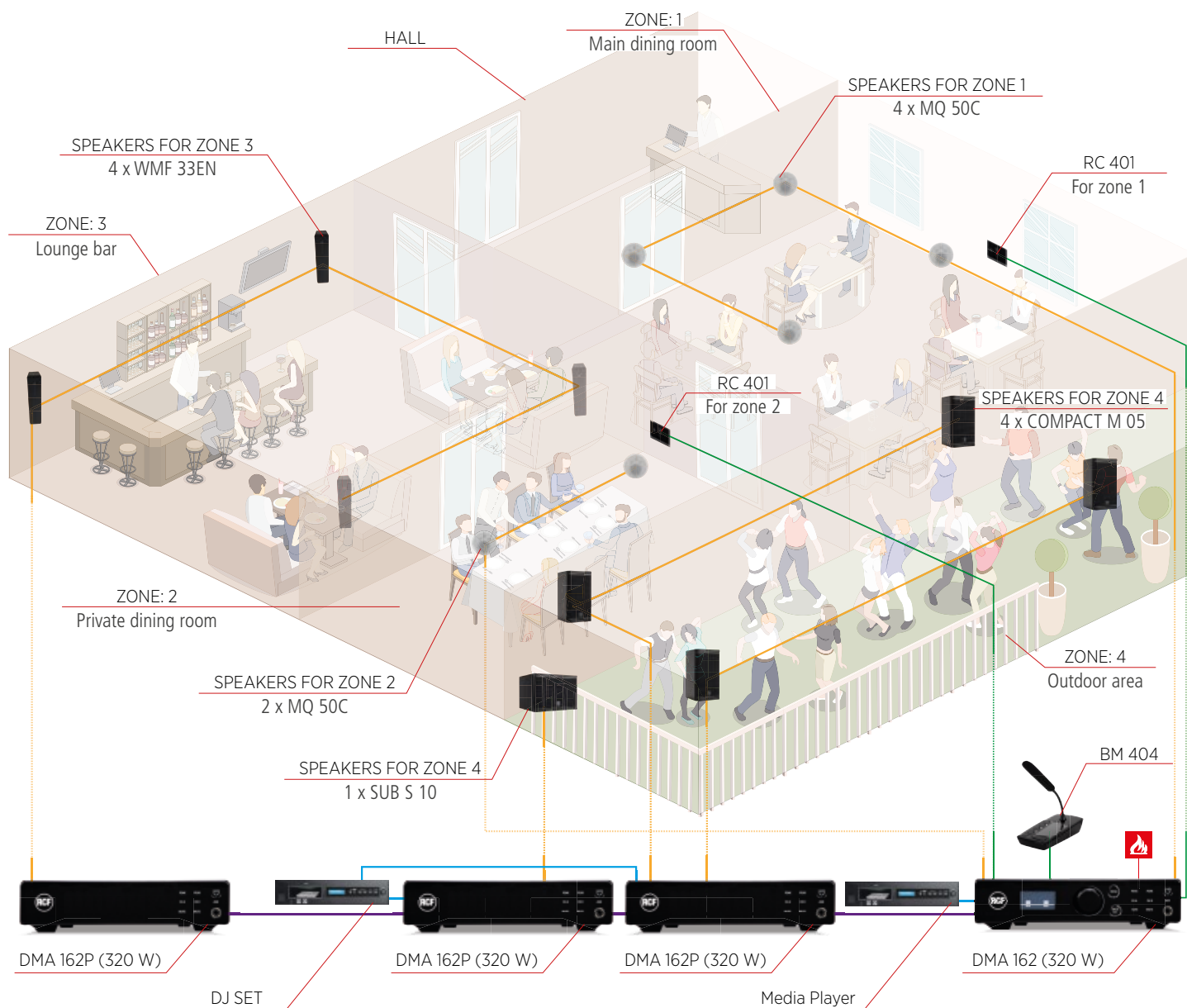
ZONES	AMPLIFIER	POWER	OUT LINES	LOUDSPEAKERS	ZONES	ACCESSORIES
2	DMA 162	2 x 160 W	LOW IMP.	4 x MQ 50C	MAIN	2 X RC 401 1 x BM 404
				2 x MR 50	TERRACE	

— Amplifier output — Audio input — Accessories



MULTI-ROOM RISTO CLUB

Audio system for background and foreground music in a multi-room club.



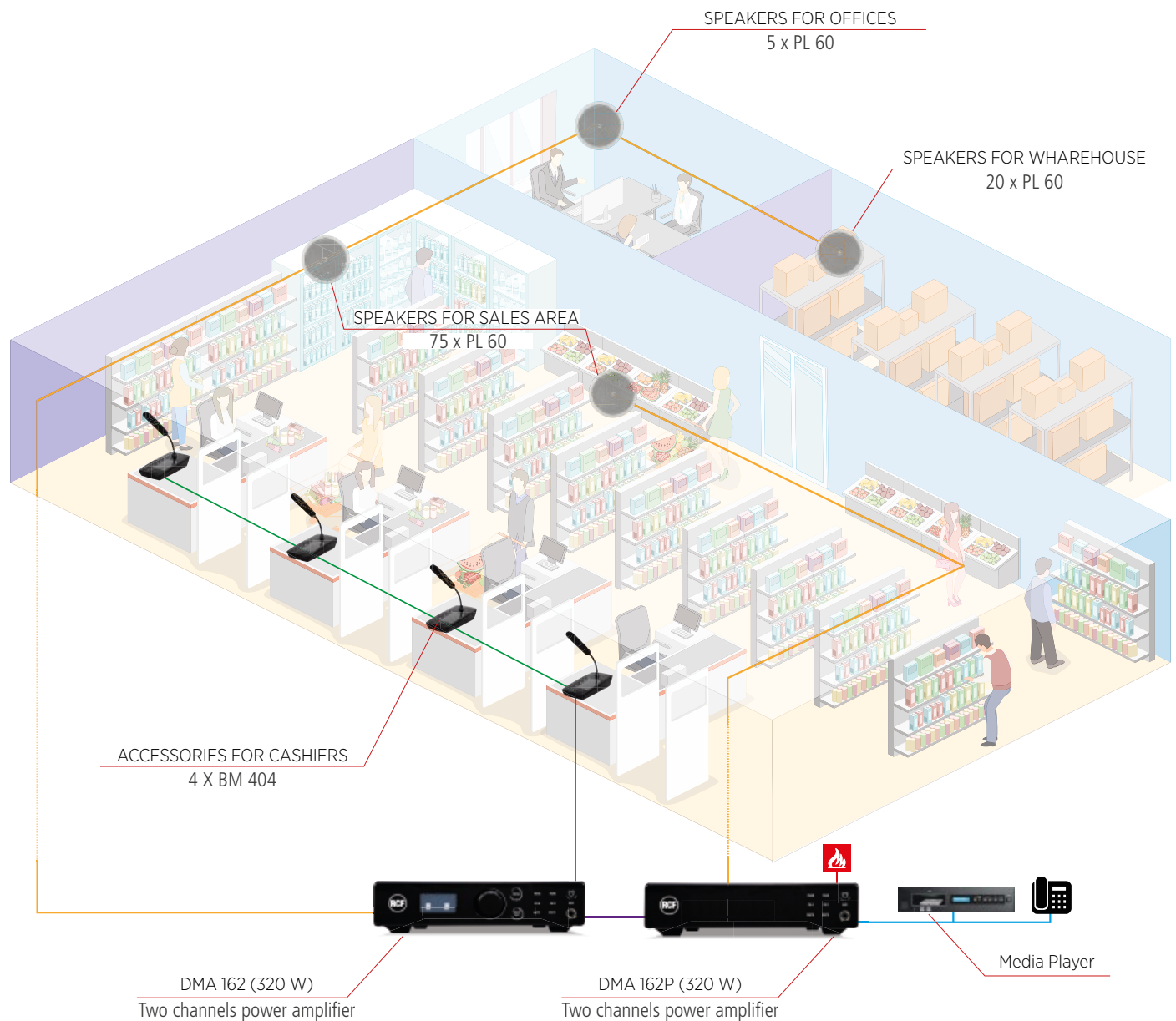
ZONES	AMPLIFIER	POWER	OUT LINES	LOUDSPEAKERS	ZONES	ACCESSORIES
4	DMA 162	2 x 160 W	LOW IMP.	4 x MQ 50C	1 MAIN	RC 401
			LOW IMP.	2 x MQ 50C	2 PRIVATE	RC 401
	DMA 162P	320 W	HI IMP.	4 x WMF 33EN	3 LOUNGE	
	DMA 162P	2 x 160 W	LOW IMP.	4 x COMPACT M 05	4 OUTDOOR	
DMA 162P	320 W	LOW IMP.	1 x SUB S 10			

— Amplifier output
 — Audio input
 — Accessories
 — 4 channels audio bus
 — Mute Command From

APPLICATION EXAMPLES

SUPERMARKET

Live announcements and background music in a supermarket.



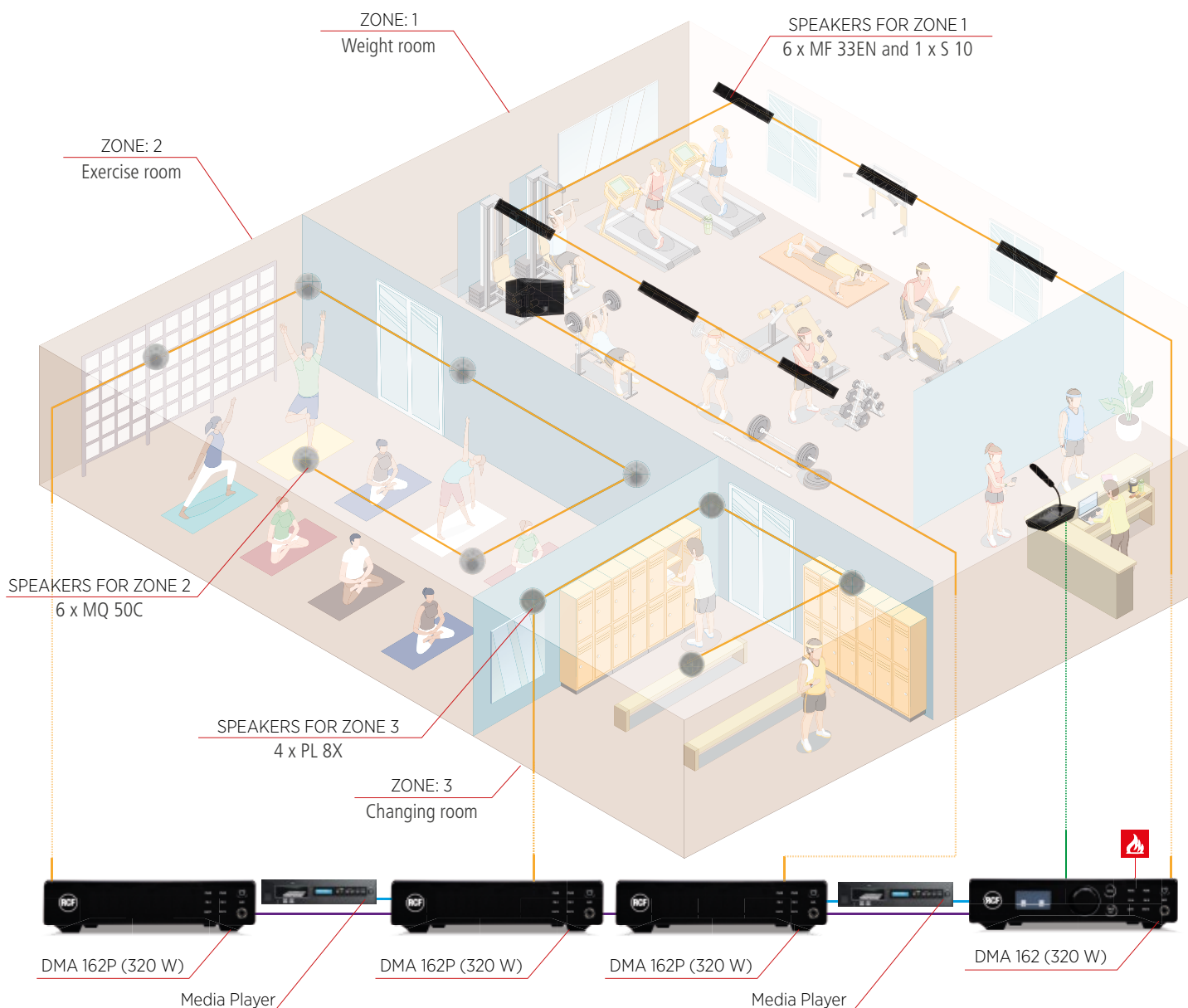
ZONES	AMPLIFIER	POWER	OUT LINES	LOUDSPEAKERS	ZONES	ACCESSORIES
1	DMA 162	320 W	HI IMP.	25 x PL 60	SALES	4 X BM 404
			HI IMP.	5 x PL 60	OFFICES	
			HI IMP.	20 x PL 60	WHAREHOUSE	
	DMA 162P	320 W	HI IMP.	50 x PL 60	SALES	

— Amplifier output
 — Audio input
 — Accessories
 — 4 channels audio bus
 — Mute Command From



FITNESS CENTER

Background music in a sport facility or a fitness center.



ZONES	AMPLIFIER	POWER	OUT LINES	LOUDSPEAKERS	ZONES	ACCESSORIES
3	DMA 162	320 W	HI IMP.	6 x MF 33EN	1 WEIGHT ROOM	BM 404
	DMA 162P	320 W	LOW IMP.	1 x S 10		
	DMA 162P	320 W	HI IMP.	6 x MQ 50C	2 EXERCISE ROOM	
	DMA 162P	320 W	HI IMP.	4 x PL 8X	3 CHANGING ROOM	

— Amplifier output
 — Audio input
 — Accessories
 — 4 channels audio bus
 — Mute Command From

M O 6

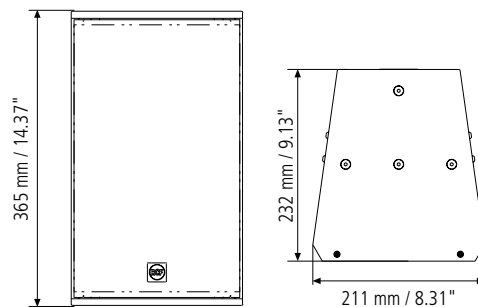
COMPACT M

COMPACT M 06

TWO-WAY PASSIVE SPEAKER

COMPACT M 06 is a multipurpose two-way full-range speaker system, suitable for a wide range of applications. Its balanced sound is a big asset in near-field applications for the best intelligibility. The M 06 features high sensitivity, typical of professional audio cabinets thanks to the use of oversized magnets and a HI-FI sound quality, with smooth and wide frequency response, thanks to the wave-guided neodymium dome tweeter. The SPL level of low-distortion audio the M 06 can provide goes far beyond expectations of such a compact solution. The elegant and compact design with accurate finishing makes M 06 suitable for almost any environment, even with architectural constraints. Optional mounting accessories allow using M 06 on wall or ceiling installations.

- 100W AES power handling
- 116 dB max SPL
- 60 ÷ 20000 Hz frequency range
- 120° x 80° constant directivity coverage angle
- 1 x 6" high power woofer
- 1 x 1" voice coil neodymium dome tweeter
- High quality plywood cabinet
- Steel front grille with clothing



PRODUCT NAME	PART NUMBER
COMPACT M 06	p.n. 13000582

ACOUSTICAL SPECIFICATIONS

Freq. Range (-10 dB):	60 Hz ÷ 20 kHz
Horiz. Coverage angle (-6 dB):	120°
Vertical coverage angle (-6 dB):	80°
Directivity factor Q:	7
System sensitivity:	90 dB, 1W @ 1m
Rated maximum SPL:	116 dB, @ 1m
System nominal impedance:	8 ohm
System input power rating RMS:	100 W
System input power rating peak:	400 W
Recommended amplifier:	200 W
HF protection:	Dynamic
Crossover:	2.2 kHz

TRANSDUCERS

Low frequency:	6" (152 mm) woofer, 1.5" (38 mm) v.c.
Nominal impedance:	8 ohm
Input power rating:	100 W AES, 200 W PEAK
Sensitivity:	90 dB, 1W @ 1m

TRANSDUCERS

High frequency:	1.3" (33 mm) throat, 1" (25 mm) v.c.
Nominal impedance:	8 ohm
Input power rating:	15 W AES, 30 W PEAK
Sensitivity:	92 dB, 1W @ 1m

PHYSICAL SPECIFICATIONS

Enclosure:	Trapezoidal (angle: 8°), made of MDF (12 mm)
Rigging inserts:	4 x M6, 2 x M8
Color:	Black
Grille:	Steel with clothing
Input connectors:	4-pin EUROBLOCK
Dimensions (HxWxD):	14.37" x 8.31" x 9.13" 365x211x232 mm
Weight:	12.13 lbs 5.5 kg

ACCESSORIES

	Specifications pag. 23
PNL IN-OUT SPEAKON COMPACT M	p.n. 12399062
SWM-BR COMPACT M	p.n. 13360449
H-BR 2X COMPACT M 06	p.n. 13360461

M05

COMPACT M

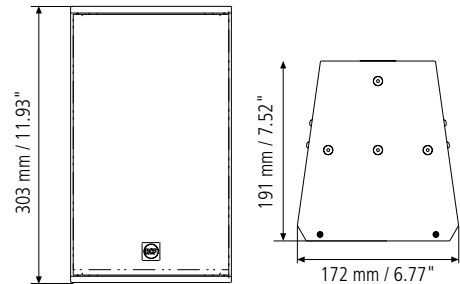
COMPACT M 05

TWO-WAY PASSIVE SPEAKER

COMPACT M 05 is a multipurpose two-way full-range speaker system, suitable for a wide range of applications. Its balanced sound is a big asset in near-field applications for the best intelligibility. M 05 features high sensitivity, typical of professional audio cabinets thanks to the use of oversized magnets and a HI-FI sound quality, with smooth and wide frequency response, thanks to the wave-guided neodymium dome tweeter. The SPL level of low-distortion audio the M 05 can provide goes far beyond expectations of such a compact solution. The elegant and compact design with accurate finishing makes M 05 suitable for almost any environment, even with architectural constraints. Optional mounting accessories allow the use of the M 05 on wall or ceiling installations



- 80 W RMS power handling
- 115 dB max SPL
- 70 ÷ 20000 Hz frequency range
- 120° x 80° constant directivity coverage angle
- 1 x 5" high power woofer
- 1 x 1" voice coil neodymium dome tweeter
- High quality plywood cabinet
- Steel front grille with clothing



PRODUCT NAME	PART NUMBER
COMPACT M 05	p.n. 13000581

ACOUSTICAL SPECIFICATIONS

Freq. Range (-10 dB):	70 Hz ÷ 20 kHz
Horiz. Coverage angle (-6 dB):	120°
Vertical coverage angle (-6 dB):	80°
Directivity factor Q:	7
System sensitivity:	89 dB, 1W @ 1m
Rated maximum SPL:	115 dB, @ 1m
System nominal impedance:	8 ohm
System input power rating RMS:	80 W
System input power rating peak:	320 W
Recommended amplifier:	160 W
HF protection:	-
Crossover:	2.2 kHz

TRANSDUCERS

Low frequency:	5" (127 mm) woofer, 1.2" (30 mm) v.c.
Nominal impedance:	8 ohm
Input power rating:	80 W AES, 160 W PEAK

TRANSDUCERS

Sensitivity:	89 dB, 1W @ 1m
High frequency:	1.3" (33 mm) throat, 1" (25 mm) v.c.
Nominal impedance:	8 ohm
Input power rating:	15 W AES, 30 W PEAK
Sensitivity:	92 dB, 1W @ 1m

PHYSICAL SPECIFICATIONS

Enclosure:	Trapezoidal (angle: 8°), made of MDF (12 mm)
Rigging inserts:	4 x M6, 2 x M8
Color:	Black
Grille:	Steel with clothing
Input connectors:	4-pin EUROBLOCK
Dimensions (HxWxD):	11.93"x6.77"x7.52" 303x172x191 mm
Weight:	9.92 lbs 4.5 kg

ACCESSORIES

PNL IN-OUT SPEAKON COMPACT M	p.n. 12399062
SWM-BR COMPACT M	p.n. 13360449
H-BR 2X COMPACT M 05	p.n. 13360460

Specifications pag. 23

M O 4

COMPACT M

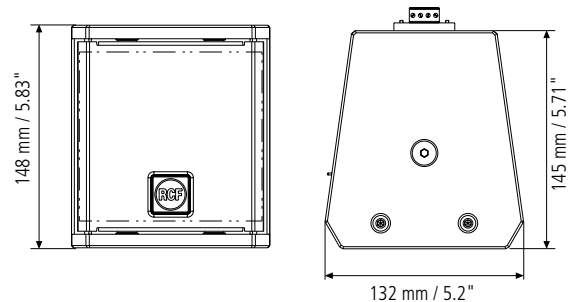
COMPACT M 04

TWO-WAY PASSIVE SPEAKER

COMPACT M 04 is a multipurpose two-way full-range speaker system, suitable for a wide range of applications. The compactness, together with the elegant and neutral design with accurate finishing make M 04 suitable for almost any environment and architectural constraint. Its comfortable sound helps heavily in the near field applications. Included mounting accessory allows using M 04 wall or ceiling mounted, to fit with several applications. The SPL and the level of undistorted sound M 04 can reach are far above any expectation from such a compact solution. M 04 features high sensitivity typical of professional audio cabinets thanks to the use of oversized magnets in coaxial configuration, and an HI-FI sound quality with smooth and wide frequency response performed thanks to the wave-guided neodymium dome tweeter.



- 60W RMS power handling
- 110 dB max SPL
- 90 ÷ 20000 Hz frequency range
- 120° x 120° constant directivity coverage angle
- 1 x 4" high power woofer
- 1 x 1" voice coil neodymium dome tweeter
- High quality plywood cabinet
- Steel front grille with clothing



PRODUCT NAME	PART NUMBER
COMPACT M 04	p.n. 13000623

ACOUSTICAL SPECIFICATIONS

Freq. Range (-10 dB):	90 Hz ÷ 20 kHz
Horiz. Coverage angle (-6 dB):	120°
Vertical coverage angle (-6 dB):	120°
Directivity factor Q:	6
System sensitivity:	90 dB, 1W @ 1m
Rated maximum SPL:	110 dB, @ 1m
System nominal impedance:	16 ohm
System input power rating RMS:	60 W
System input power rating peak:	240 W
Recommended amplifier:	120 W
Crossover:	3 kHz

TRANSDUCERS

Low frequency:	4" (100 mm) woofer, 1" (25 mm) v.c.
Nominal impedance:	8 ohm

TRANSDUCERS

Input power rating:	60 W AES, 120 W PEAK
Sensitivity:	90 dB, 1W @ 1m
High frequency:	1" (25 mm) throat, 1" (25 mm) v.c.
Nominal impedance:	16 ohm
Input power rating:	10 W AES, 20 W PEAK
Sensitivity:	91 dB, 1W @ 1m

PHYSICAL SPECIFICATIONS

Enclosure:	Plywood
Rigging inserts:	2 x M6, 2 x M8
Color:	Black - RAL 9005
Grille:	Steel with clothing
Input connectors:	4-pin EUROBLOCK
Dimensions (HxWxD):	5.83"x5.2"x5.71" 148x132x145 mm
Weight:	2.3 kg 5.07 lbs

M ACCESSORIES



H-BR 2X COMPACT M 06

p.n. 13360461

PAIR OF HORIZONTAL BRACKETS

- Pair of horizontal brackets for COMPACT M 06 speakers wall mounting



H-BR 2X COMPACT M 05

p.n. 13360460

PAIR OF HORIZONTAL BRACKETS

- Pair of horizontal brackets for COMPACT M 05 speakers wall mounting



SWM-BR COMPACT M

p.n. 13360449

SWIVEL WALL MOUNT BRACKET FOR COMPACT M

Swivel bracket for COMPACT M 05, M 06 and M 08 speakers wall mounting. It allows both horizontal and vertical installation, with fixed tilt angles 0°, 15°, 30° and 45°



PANEL PNL IN-OUT SPEAKON

p.n. 12399062

SPEAKON IN-OUT CONNECTOR OPTIONAL PANEL FOR COMPACT M

PNL IN-OUT is an optional panel that allows to switch from EUROBLOCK to SpeakON input / output connectors. This can be done easily thanks to the single connector on the back



50 MONITOR

MR 50 | MR 50T

TWO-WAY PASSIVE SPEAKER

MR 50 and MR 50T are bass-reflex two-way speaker designed to deliver uncompromised audio performance and high reliability in fixed installations. Blend in with any environment and deliver deep bass, smooth midrange, and finely-detailed high-frequency response. Quality components and careful acoustic design make MR 50 and MR 50T the perfect speakers for listening in the most demanding applications. MR 50T is equipped with 70/100 V line transformers.

- 60W RMS power handling
- 110 dB max SPL
- 60 ÷ 20000 Hz frequency range
- 110° x 100° coverage angles
- 1 x 5" woofer (1" v.c.)
- 1 x 1" neodymium dome tweeter (0.8" v.c.)
- Wall mount accessory included

PRODUCT NAME	PART NUMBER
MR 50 Black (p.n. refers to a couple of speakers)	p.n. 13100038
MR 50 W White (p.n. refers to a couple of speakers)	p.n. 13100040
MR 50T Black (p.n. refers to a couple of speakers)	p.n. 13100039
MR 50T W White (p.n. refers to a couple of speakers)	p.n. 13100041

ACOUSTICAL SPECIFICATIONS

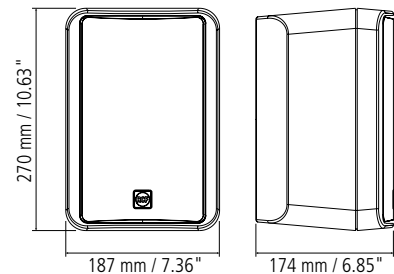
Freq. Range (-10 dB):	60 Hz ÷ 20 kHz
Horiz. Coverage angle (-6 dB):	110°
Vertical coverage angle (-6 dB):	100°
System sensitivity:	87 dB, 1W @ 1m
Rated maximum SPL:	110 dB, @ 1m
System nominal impedance:	8 ohm
System input power rating RMS:	60 W
System input power rating peak:	240 W
Recommended amplifier:	120 W
HF protection:	Bulb Lamp
Crossover:	3 kHz
Power selection 1 (100 V):	(only MR 50T) 40 - 20 - 10 - 5 W

TRANSDUCERS

Low frequency:	5" (125 mm) woofer, 1" (25 mm) v.c.
----------------	-------------------------------------



MR 50T is equipped with 70/100 V line transformers.



TRANSDUCERS

Nominal impedance:	8 ohm
Input power rating:	60 W AES, 120 W PEAK
Sensitivity:	87 dB, 1W @ 1m
High frequency:	1" (25 mm) dome tweeter, 0.8" (20 mm) v.c.
Nominal impedance:	8 ohm
Input power rating:	10 W AES, 20 W PEAK
Sensitivity:	93 dB, 1W @ 1m

PHYSICAL SPECIFICATIONS

Enclosure:	Self-extinguishing plastic
Color:	Black RAL 9005 White RAL 9003
Grille:	Steel
Input connectors:	EUROBLOCK
Dimensions (HxWxD):	10.63" x 7.36" x 6.85" 270x187x174 mm
Weight:	7.5 lb 3.4 kg

ACCESSORIES

MA 5	Black	p.n. 13360369
MA 5 W	White	p.n. 13360370

Specifications pag. 52

40 MONITOR

MR 40 | MR 40T

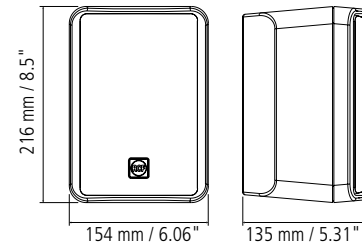
TWO-WAY PASSIVE SPEAKER

MR 40 and MR 40T are bass-reflex two-way speaker designed to deliver uncompromised audio performance and high reliability in fixed installations. Blend in with any environment and deliver deep bass, smooth midrange, and finely-detailed high-frequency response. Quality components and careful acoustic design make MR 40 and MR 40T the perfect speakers for listening in the most demanding applications. MR 40T is equipped with 70/100 V line transformers.

- 40W RMS power handling
- 108 dB max SPL
- 70 ÷ 20000 Hz frequency range
- 110° x 100° coverage angles
- 1 x 4" woofer (1" v.c.)
- 1 x 1" neodymium dome tweeter (0.8" v.c.)
- Wall mount accessory included



MR 40T is equipped with 70/100 V line transformers.



PRODUCT NAME	PART NUMBER
MR 40 Black (p.n. refers to a couple of speakers)	p.n. 13100034
MR 40 W White (p.n. refers to a couple of speakers)	p.n. 13100036
MR 40T Black (p.n. refers to a couple of speakers)	p.n. 13100035
MR 40T W White (p.n. refers to a couple of speakers)	p.n. 13100037

ACOUSTICAL SPECIFICATIONS

Freq. Range (-10 dB):	70 Hz ÷ 20 kHz
Horiz. Coverage angle (-6 dB):	110°
Vertical coverage angle (-6 dB):	100°
System sensitivity:	86 dB, 1W @ 1m
Rated maximum SPL:	108 dB, @ 1m
System nominal impedance:	8 ohm
System input power rating RMS:	40 W
System input power rating peak:	160 W
Recommended amplifier:	80 W
HF protection:	Bulb Lamp
Crossover:	3 kHz
Power selection 1 (100 V):	(only MR 40T) 20 - 10 - 5 - 2.5 W

TRANSDUCERS

Low frequency:	4" (102 mm) woofer, 1" (25 mm) v.c.
----------------	-------------------------------------

TRANSDUCERS

Nominal impedance:	8 ohm
Input power rating:	40 W AES, 80 W PEAK
Sensitivity:	86 dB, 1W @ 1m
High frequency:	1" (25 mm) dome tweeter, 0.8" (20 mm) v.c.
Nominal impedance:	8 ohm
Input power rating:	10 W AES, 20 W PEAK
Sensitivity:	93 dB, 1W @ 1m

PHYSICAL SPECIFICATIONS

Enclosure:	Self-extinguishing plastic
Color:	Black RAL 9005 White RAL 9003
Grille:	Steel
Input connectors:	EUROBLOCK
Dimensions (HxWxD):	8.5"x6.06"x5.31" 216x154x135 mm
Weight:	3.74 lb 1.7 kg

ACCESSORIES

MA 4	Black	p.n. 13360367
MA 4 W	White	p.n. 13360368

Specifications pag. 52

8 MONITOR

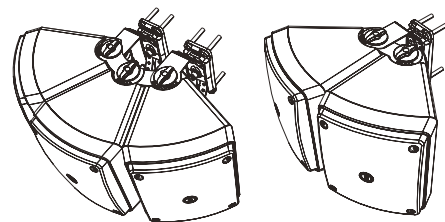
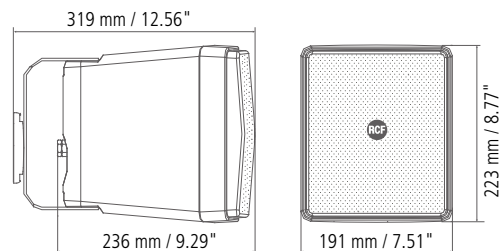
MQ 80P

TWO-WAY INDOOR OUTDOOR SPEAKER

High intelligibility, high efficiency and compact design make the RCF MQ 80P 2-way horn-loaded sound projector speaker system the ideal solution to get clear voice and music reproduction in mid-size environment. Suitable for PA systems and background/foreground music systems. It is suitable for both indoor and outdoor installations (IP 55). The woofer is a high-excursion, PP coated paper cone – rubber surround design mounted in a tuned enclosure (port can be sealed for full outdoor installation). The tweeter is a horn-loaded compression driver with phase plug, the only way to get real and crispy intelligible voice reproduction even in wide and noisy environments. Installation of the MQ 80P is quick thanks to the unique bracket with several fixing points and aiming facilities.

- 5" woofer with 1" compression driver
- Power/RMS: 120/60 W Bypass
- Tuning frequency: 100 Hz
- Power selectable (100 V): 30 – 10 – 10 – 5 W
- 94 dB sensitivity
- IP 55, suitable for outdoor use
- Suitable for cluster installation (2x, 3x) for a wide and uniform coverage

Thanks to its 90° X 60° constant directivity and to simple accessories it can be combined in clusters of 2 or more pieces to get wide and smooth coverage and to reduce the installation points.



PRODUCT NAME		PART NUMBER
MQ 80P B	Black	p.n. 13000094
MQ 80P W	White	p.n. 13000096

ACOUSTICAL SPECIFICATIONS

Freq. Range (-10 dB):	100 Hz ÷ 20 kHz
Horiz. Coverage angle (-6 dB):	90°
Vertical coverage angle (-6 dB):	60°
System sensitivity:	94 dB, 1W @ 1m
Rated maximum SPL:	114 dB, @ 1m
System nominal impedance:	8 ohm
System input power rating RMS:	60 W
System input power rating peak:	240 W
Recommended amplifier:	120 W
Crossover:	3 kHz
Power selection (100 V):	30 - 20 - 10 - 5 W

TRANSDUCERS

Low frequency:	5" (125 mm) woofer
High frequency:	1" (25 mm) compression driver

PHYSICAL SPECIFICATIONS

Enclosure:	Self-extinguishing plastic
IP protection grade:	IP 55
Color:	Black RAL 7021 White RAL 9016
Grille:	Steel
Dimensions (HxWxD):	8.77"x7.51"x9.29" 223x191x236 mm
Weight:	3.65 kg 8.05 lbs

60 MONITOR

MQ 60H

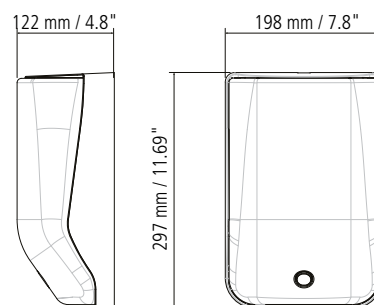
TWO-WAY WALL MOUNT SPEAKER

The MQ 60H is a wall mount monitor speaker designed to guarantee uniform coverage of a large area in order to limit the number of speakers and therefore the installation points.

It is a two-way speaker with three transducers: the 5" woofer and the two horn-loaded dome tweeters with constant directivity are positioned in such a way as to ensure the maximum listening comfort within the area covered. Installation is carried out in two phases: first, you mount the support on the wall and make the electrical connections; when all the works are completed, you insert the speaker and make a quick connection.



- 5" woofer with 2 x 1" dome tweeter
- Max output power 120 W
- Power selectable (100 V): 30 – 20 – 10 – 5 W
- 88 dB sensitivity
- 2600 Hz crossover frequencies with attenuation 12/12 dB/oct
- Dynamic Protection on woofer and tweeter



MQ 60H LINK is available in black or white and can be used to support 2 MQ 60H speakers to form an omni directional high quality speaker array 360° dispersion over a horizontal surface which is controlled over a vertical surface.



PRODUCT NAME		PART NUMBER
MQ 60H B	Black	p.n. 13000072
MQ 60H W	White	p.n. 13000060

ACOUSTICAL SPECIFICATIONS

Freq. Range (-10 dB):	100 Hz ÷ 19 kHz
Horiz. Coverage angle (-6 dB):	180°
Vertical coverage angle (-6 dB):	100°
System sensitivity:	88 dB, 1W @ 1m
Rated maximum SPL:	109 dB, @ 1m
System nominal impedance:	16 ohm
System input power rating RMS:	60 W
System input power rating peak:	240 W
Recommended amplifier:	120 W
Crossover:	2 kHz
Power selection (100 V):	30 - 20 - 10 - 5 W

TRANSDUCERS

Low frequency:	5" (125 mm) woofer
High frequency:	2 x 1" (25 mm) compression driver

PHYSICAL SPECIFICATIONS

Enclosure:	Self-extinguishing plastic
Color:	Black White
Grille:	Steel
Input connectors:	EUROBLOCK
Dimensions (HxWxD):	11.69"x7.8"x4.8" 297x198x122 mm
Weight:	2.85 kg 6.28 lbs

ACCESSORIES

		Specifications pag. 52
LINK MQ 60H B	Black	p.n. 13360081
LINK MQ 60H W	White	p.n. 13360080

61 MONITOR

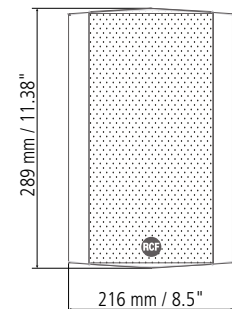
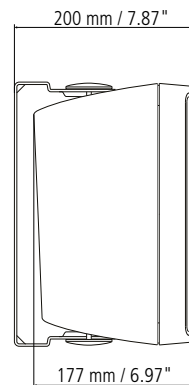
DM 61

TWO-WAY COMPACT SPEAKER

DM 61 is a compact two way speaker designed for constant voltage systems. The speaker provide natural, smooth sound reproduction ideal for use in business music systems and indoor/outdoor background music applications. Connections to the loudspeaker line are made by using the two wire cable coming out from the loudspeaker rear side. The enclosure includes a protective perforated grille and an accessory for the wall mounting.



- 6" woofer with 1" dome tweeter
- Power selectable (100 V): 25 - 12.5 - 7.5 - 5 - 2.5 W
- 89 dB sensitivity
- Colour white RAL 9002
- Plastic body UL 94 V0, aluminium grille
- Protection grade IP 55



PRODUCT NAME	PART NUMBER
DM 61	p.n. 13000050

ACOUSTICAL SPECIFICATIONS

Freq. Range (-10 dB):	70 Hz ÷ 20 kHz
Horiz. Coverage angle (-6 dB):	120°
Vertical coverage angle (-6 dB):	140°
System sensitivity:	89 dB, 1W @ 1m
Rated maximum SPL:	106 dB, @ 1m
System nominal impedance:	8 ohm
System input power rating RMS:	25 W
System input power rating peak:	100 W
Recommended amplifier:	50 W
Crossover:	6 kHz
Power selection (100 V):	25 - 12.5 - 7.5 - 5 - 2.5 W

TRANSDUCERS

Low frequency:	6" (153 mm) woofer
High frequency:	1" (25 mm) compression driver

PHYSICAL SPECIFICATIONS

Enclosure:	Self-extinguishing plastic
IP protection grade:	IP 55
Hardware:	Aluminium U bracket
Color:	White - RAL 9002
Grille:	Aluminium
Dimensions (HxWxD):	11.38"x8.5"x6.97" 289x216x177 mm
Weight:	3.98 kg / 8.77 lbs

41 MONITOR

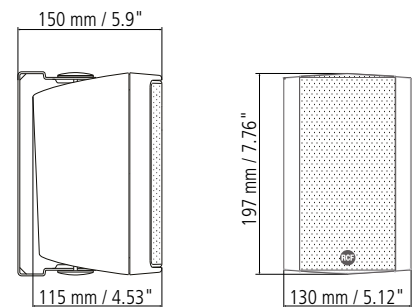
DM 41

TWO-WAY COMPACT SPEAKER

DM 41 is a compact two way speaker designed for constant voltage systems. The speaker provide natural, smooth sound reproduction ideal for use in business music systems and indoor/outdoor background music applications. Connections to the loudspeaker line are made by using the two wire cable coming out from the loudspeaker rear side. The enclosure includes a protective perforated grille and an accessory for the wall mounting.



- 3.5" woofer with 1" dome tweeter
- Power selectable (100 V): 15 - 7.5 - 5 - 2.5 - 1.25 W
- 87 dB sensitivity
- Colour white RAL 9002 and black RAL 9005
- Plastic body UL 94 V0, steel aluminium
- Protection grade IP 55



PRODUCT NAME	PART NUMBER
DM 41 B Black	p.n. 13000387
DM 41 White	p.n. 13000049

ACOUSTICAL SPECIFICATIONS

Freq. Range (-10 dB):	100 Hz ÷ 20 kHz
Horiz. Coverage angle (-6 dB):	180°
Vertical coverage angle (-6 dB):	170°
System sensitivity:	87 dB, 1W @ 1m
Rated maximum SPL:	102 dB, @ 1m
System nominal impedance:	8 ohm
System input power rating RMS:	15 W
System input power rating peak:	60 W
Recommended amplifier:	30 W
Crossover:	2.5 kHz

ACOUSTICAL SPECIFICATIONS

Power selection (100 V):	15 - 7.5 - 5 - 2.5 - 1.25 W
--------------------------	-----------------------------

TRANSDUCERS

Low frequency:	3.5" (89 mm) woofer
High frequency:	1" (25 mm) compression driver

PHYSICAL SPECIFICATIONS

Enclosure:	Self-extinguishing plastic
IP protection grade:	IP 55
Hardware:	Aluminium U bracket
Color:	Black RAL 9005 White RAL 9002
Grille:	Aluminium
Dimensions (HxWxD):	7.76"x5.12"x4.53" 197x130x115 mm
Weight:	1.7 kg / 3.75 lbs

WMF

MONITOR

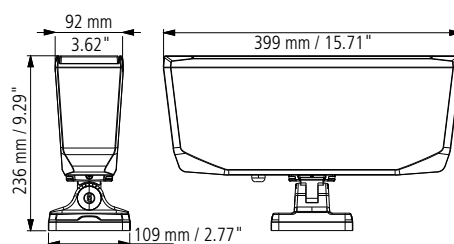


WMF 33EN

TWO-WAY WALL MOUNT SPEAKER

WMF 33EN is a two-way wall mount speaker designed for both horizontal and vertical installation. It is especially suitable for broadcasting background music into commercial spaces, but also alarm messages thanks to the highly intelligible voice reproduction and the EN 54-24 certification. It features a plastic cabinet with steel magnetic grille and is extremely easy to install thanks to its smart support system. The terminal connection blocks, for input and output flameproof cables, are made of ceramic material. A thermal fuse protects the integrity of the line in case of heat affecting the speaker.

- 2 x 3" full-range transducers with 1" dome tweeter
- Power selectable (70 V / 100 V): 40 - 20 - 10 - 5 - 2.5 W
- 88 dB sensitivity
- Colour black RAL 9005
- Flameproof ABS body, steel grille
- In/out ceramic terminal block
- Thermal fuse protection
- Connections integrated in the wall support



PRODUCT NAME	PART NUMBER
WMF 33EN	p.n. 13100046

CERTIFICATION	
EN 54-24	CPR: 0068-CPR-057/2019

ACOUSTICAL SPECIFICATIONS	
Freq. Range (-10 dB):	80 Hz ÷ 22 kHz
Horiz. Coverage angle (-6 dB):	100°
Vertical coverage angle (-6 dB):	160°
System sensitivity:	88 dB, 1W @ 1m
Rated maximum SPL:	105 dB, @ 1m
System nominal impedance:	8 ohm
System input power rating RMS:	40 W
System input power rating peak:	160 W
Recommended amplifier:	80 W
Protections:	Thermal fuse - PTC
Crossover:	2.5 kHz
Power selection (100 V):	40 - 20 - 10 - 5 - 2.5 W

TRANSDUCERS

Low frequency:	2 x 3" (76 mm) woofer, 1" (25 mm) v.c.
Nominal impedance:	16 ohm
Input power rating:	20 W AES, 40 W PEAK
Sensitivity:	85 dB, 1W @ 1m
High frequency:	1" (25 mm) dome tweeter, 1" (25 mm) v.c. neo
Nominal impedance:	8 ohm
Input power rating:	15 W AES, 30 W PEAK
Sensitivity:	90 dB, 1W @ 1m

PHYSICAL SPECIFICATIONS

Enclosure:	Self-extinguishing plastic
IP protection grade:	IP 55
Hardware:	Wall mount bracket
Color:	Black - RAL 9005
Grille:	Steel
Dimensions (HxWxD):	15.71"x3.62"x9.29" 399x92x236 mm
Weight:	5 kg / 11.02 lbs

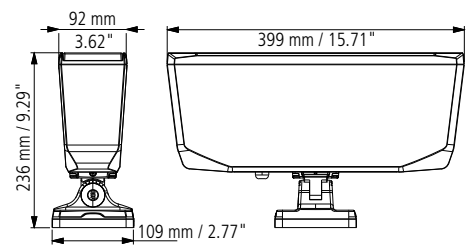
MF CEILING



MF 33EN TWO-WAY CEILING SPEAKER

MF 33EN is a two-way ceiling speaker designed for recess installation into ceilings or panels. It is especially suitable for broadcasting background music into commercial spaces, but also alarm messages thanks to the highly intelligible voice reproduction and the EN 54-24 certification. It features a plastic cabinet with steel magnetic grille and is extremely easy to install. The terminal connection blocks, for input and output flameproof cables, are made of ceramic material. A thermal fuse protects the integrity of the line in case of heat affecting the speaker.

- 2 x 3" fullrange transducers with 1" dome tweeter
- Power selectable (70 V / 100 V): 40 - 20 - 10 - 5 - 2.5 W
- 88 dB sensitivity
- Colour black RAL 9005
- Flameproof ABS body, steel grilled
- In/out ceramic terminal block
- Thermal fuse protection



PRODUCT NAME	PART NUMBER
MF 33EN	p.n. 13100043

CERTIFICATION	
EN 54-24	CPR: 0068-CPR-057/2019

ACOUSTICAL SPECIFICATIONS	
Freq. Range (-10 dB):	80 Hz ÷ 22 kHz
Horiz. Coverage angle (-6 dB):	100°
Vertical coverage angle (-6 dB):	160°
System sensitivity:	88 dB, 1W @ 1m
Rated maximum SPL:	105 dB, @ 1m
System nominal impedance:	8 ohm
System input power rating RMS:	40 W
System input power rating peak:	160 W
Recommended amplifier:	80 W
Protections:	Thermal fuse - PTC
Crossover:	2.5 kHz
Power selection (100 V):	40 - 20 - 10 - 5 - 2.5 W

TRANSDUCERS	
Low frequency:	2 x 3" (76 mm) woofer, 1" (25 mm) v.c.
Nominal impedance:	16 ohm
Input power rating:	20 W AES, 40 W PEAK
Sensitivity:	85 dB, 1W @ 1m
High frequency:	1" (25 mm) dome tweeter, 1" (25 mm) v.c. neo
Nominal impedance:	8 ohm
Input power rating:	15 W AES, 30 W PEAK
Sensitivity:	90 dB, 1W @ 1m

PHYSICAL SPECIFICATIONS	
Enclosure:	Self-extinguishing plastic
IP protection grade:	IP 55
Hardware:	Ceiling mount brackets
Color:	Black - RAL 9005
Grille:	Steel
Dimensions (HxWxD):	20.31"x3.7"x7.13" 516x94x181 mm
Weight:	3.4 kg / 7.5 lbs

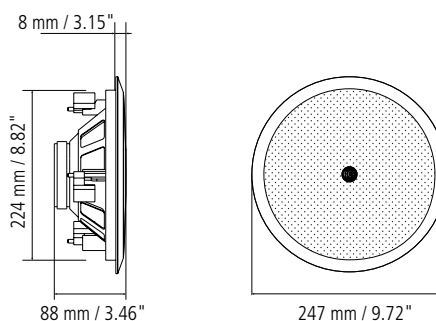
CEILING

PL 8X

COAXIAL CEILING SPEAKER

PL 50 is a flush-mount ceiling 6" (dual-cone) loudspeaker. It has an internal transformer that allows direct connection to 100 V constant voltage lines. The transformer has 2 inputs for power tapping: 6 – 3 W. The false-ceiling installation is made through its 2 spring clamps without using tools and other additional attachment components.

- Woofer da 6" con tweeter da 1"
- Power selectable (70 V / 100 V): 20 - 10 - 5 - 2.5 W
- 93 dB sensitivity
- Colour white RAL 9003 and black RAL 9005
- Plastic frame UL 94 V0, steel grille



PRODUCT NAME		PART NUMBER
PL 8X B	Black	p.n. 13100088
PL 8X	White	p.n. 13133043

ACOUSTICAL SPECIFICATIONS

Freq. Range (-10 dB):	60 Hz ÷ 20 kHz
Coverage angle (-6 dB):	80°
System sensitivity:	93 dB, 1W @ 1m
Rated maximum SPL:	109 dB, @ 1m
System input power rating RMS:	20 W
System input power rating peak:	80 W
Recommended amplifier:	40 W
Power selection (100 V):	20 - 10 - 5 - 2.5 W

TRANSDUCERS

Low frequency:	8" (203 mm) fullrange
High frequency:	1" (25 mm) dome tweeter

PHYSICAL SPECIFICATIONS

Enclosure:	Plastic
IP protection grade:	IP 44
Hardware:	Plastic Material
Color:	White - RAL 9003
Grille:	Steel
Depth:	88 mm / 3.46"
Recessed depth:	80 mm / 3.15"
Diameter:	247 mm / 9.72"
Cut out diameter:	224 mm / 8.82"
Weight:	1.23 kg / 2.71 lbs

6X CEILING



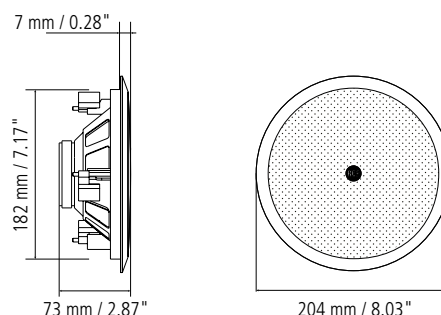
PL 6X

COAXIAL CEILING SPEAKER

The PL6X is a ceiling speakers featuring elegant and innovative design that can be flush-mounted in false ceilings or panels. Incorporating a 160 mm (6") loudspeaker. Both have a coaxial 25 mm (1") tweeter placed on a bridge support. The speakers are equipped with a line transformer that enables direct connection to constant voltage systems at 70 V or 100 V. The multiple sockets on the transformer make it possible to select the output power from among several values. Installation is quick and easy thanks to a special three-hook system that avoids the need for using screws and pallet or other attachment elements.



- 6" woofer with 1" dome tweeter
- Power selectable (70 V / 100 V): 12 - 6 - 3 - 1.5 W
- 92 dB sensitivity
- Colour white RAL 9003 and black RAL 9005
- Plastic frame UL 94 V0, steel grille



PRODUCT NAME		PART NUMBER
PL 6X B	Black	p.n. 13100087
PL 6X	White	p.n. 13133042

ACOUSTICAL SPECIFICATIONS

Freq. Range (-10 dB):	70 Hz ÷ 20 kHz
Coverage angle (-6 dB):	100°
System sensitivity:	92 dB, 1W @ 1m
Rated maximum SPL:	106 dB, @ 1m
System input power rating RMS:	12 W
System input power rating peak:	48 W
Recommended amplifier:	24 W
Power selection (100 V):	12 - 6 - 3 - 1.5 W

TRANSDUCERS

Low frequency:	6" (153 mm) fullrange
High frequency:	1" (25 mm) dome tweeter

PHYSICAL SPECIFICATIONS

Enclosure:	Plastic
IP protection grade:	IP 44
Hardware:	Plastic Material
Color:	White - RAL 9003
Grille:	Steel
Depth:	73 mm / 2.87"
Recessed depth:	66 mm / 2.6"
Diameter:	204 mm / 8.03"
Cut out diameter:	182 mm / 7.17"
Weight:	0.78 kg / 1.72 lbs

50 CEILING

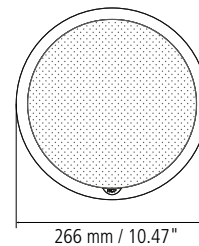
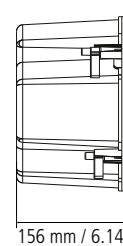
MQ 50C

TWO-WAY CEILING SPEAKER

Compact design, light weight and limited depth makes the MQ 50C a 2-way ceiling speakers ideal for use in any background and foreground music system where a good sound is required. The woofer is a high-excursion, PP coated paper cone with rubber surround design mounted in a tuned enclosure. The fabric dome tweeter is loaded on a constant Q wave guide to provide natural and smooth sound reproduction on a wide dispersion angle. Installation of MQ 50C is fast and efficient thanks to the built-in rotating hooks. No additional brackets or rings or other supports are required: thanks to its lightweight construction the speaker can be mounted as a conventional ceiling speakers. Connections are made on four poles Euroblock connector. Power value can be selected with a rotary switch, accessible behind the grill.



- 5" woofer with 1" dome tweeter
- Power selectable (100 V): 30 - 20 - 10 - 5 W
- 91 dB sensitivity
- Colour white RAL 9016 and black RAL 9005
- Plastic frame, aluminium back can and steel grille
- In/out euroblock connectors



PRODUCT NAME		PART NUMBER
MQ 50C B	Black	p.n. 13100089
MQ 50C W	White	p.n. 13000081

ACOUSTICAL SPECIFICATIONS

Freq. Range (-10 dB):	70 Hz ÷ 20 kHz
Coverage angle (-6 dB):	120°
System sensitivity:	91 dB, 1W @ 1m
Rated maximum SPL:	112 dB, @ 1m
System input power rating RMS:	60 W
System input power rating peak:	240 W
Recommended amplifier:	120 W
Power selection (100 V):	30 - 20 - 10 - 5 W

TRANSDUCERS

Low frequency:	5" (125 mm) woofer neo
High frequency:	1" (25 mm) dome tweeter neo

PHYSICAL SPECIFICATIONS

Enclosure:	Plastic
Hardware:	Plastic Material
Color:	Black RAL 9005 - White RAL 9016
Grille:	Steel
Depth:	156 mm / 6.14"
Diameter:	266 mm / 10.47"
Weight:	2.1 kg / 4.63 lbs

60 CEILING

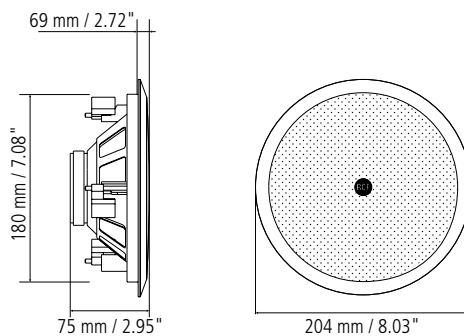
PL 60

HIGH EFFICIENCY CEILING SPEAKER

The PL60 is a ceiling speaker with an elegant design, intended for recess installation in false ceilings or panels. It is ideal for the reproduction of announcements and background music and features a multiplesocket line transformer for use with constant voltage systems.



- 6" fullrange transducer
- Power selectable (100 V): 6 - 3 W
- 91 dB sensitivity
- Colour white RAL 9003
- Plastic frame, steel grille



PRODUCT NAME	PART NUMBER
PL 60	p.n. 13110214

ACOUSTICAL SPECIFICATIONS

Freq. Range (-10 dB):	90 Hz ÷ 20 kHz
Coverage angle (-6 dB):	90°
System sensitivity:	91 dB, 1W @ 1m
Rated maximum SPL:	107 dB, @ 1m
System nominal impedance:	8 ohm
System input power rating RMS:	6 W
System input power rating peak:	24 W
Recommended amplifier:	12 W
Power selection (100 V):	6 - 3 W

TRANSDUCERS

Low frequency: 6" (153 mm) fullrange

PHYSICAL SPECIFICATIONS

Enclosure:	Plastic
Hardware:	Plastic Material
Color:	White - RAL 9003
Grille:	Steel
Depth:	75 mm / 2.95"
Recessed depth:	69 mm / 2.72"
Diameter:	204 mm / 8.03"
Weight:	0.34 kg / 0.75 lbs

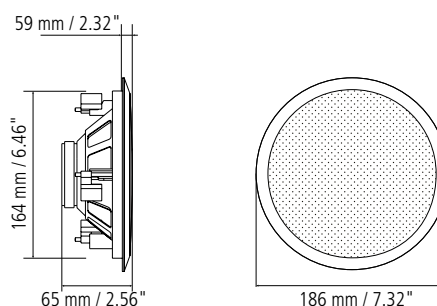
50 CEILING

PL 50

CEILING SPEAKER

PL 50 is a flush-mount ceiling 6" (dual-cone) loudspeaker. It has an internal transformer that allows direct connection to 100 V constant voltage lines. The transformer has 2 inputs for power tapping: 6 – 3 W. The false-ceiling installation is made through its 2 spring clamps without using tools and other additional attachment components.

- 6" fullrange transducer
- Power selectable (100 V): 6 – 3 W
- 90 dB sensitivity
- Colour white RAL 9003
- Plastic frame and grille



PRODUCT NAME

PL 50

PART NUMBER

p.n. 13133060

ACOUSTICAL SPECIFICATIONS

Freq. Range (-10 dB):	100 Hz ÷ 20 kHz
Coverage angle (-6 dB):	150°
System sensitivity:	90 dB, 1W @ 1m
Rated maximum SPL:	98 dB, @ 1m
System input power rating RMS:	6 W
System input power rating peak:	24 W
Recommended amplifier:	12 W
Power selection (100 V):	6 - 3 W

TRANSDUCERS

Low frequency: 6" (153 mm) fullrange

PHYSICAL SPECIFICATIONS

Enclosure:	Plastic
Hardware:	Metal
Color:	White - RAL 9003
Grille:	Plastic
Depth:	65 mm / 2.56"
Recessed depth:	59 mm / 2.32"
Diameter:	186 mm / 7.32"
Weight:	0.5 kg / 1.1 lbs

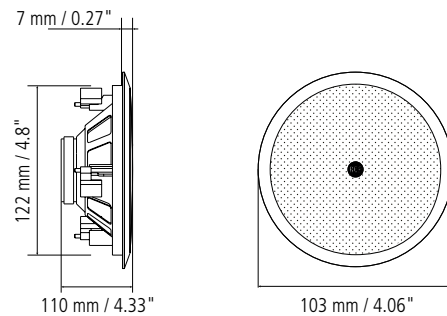
40 CEILING

PL 40 CEILING SPEAKER

PL 40 is a ceiling speakers featuring elegant and innovative design that can be flushmounted in false ceilings or panels. Incorporating a 3.5" fullrange transducer, PL 40 is equipped with a line transformer that enables direct connection to constant voltage systems at 70 V or 100 V. The multiple sockets on the transformer make possible to select the output power from among several values. Installation is quick and easy thanks to a special three-hook system that avoids the need for using screws and pallet or other attachment elements.



- 3.5" fullrange transducer
- Power selectable (100 V): 8 - 6 - 4 - 2 W
- 88 dB sensitivity
- Colour white RAL 9003
- Plastic frame UL 94 V0, steel grille



PRODUCT NAME	PART NUMBER
PL 40	p.n. 13133045

ACOUSTICAL SPECIFICATIONS

Freq. Range (-10 dB):	90 Hz ÷ 20 kHz
Coverage angle (-6 dB):	120°
System sensitivity:	88 dB, 1W @ 1m
Rated maximum SPL:	100 dB, @ 1m
System input power rating RMS:	8 W
System input power rating peak:	32 W
Recommended amplifier:	16 W
Power selection (100 V):	8 - 6 - 4 - 2 W

TRANSDUCERS

Low frequency:	3.5" (89 mm) fullrange
----------------	------------------------

PHYSICAL SPECIFICATIONS

Enclosure:	Plastic
IP protection grade:	IP 44
Hardware:	Plastic Material
Color:	White - RAL 9003
Grille:	Steel
Depth:	110 mm / 4.33"
Recessed depth:	103 mm / 4.06"
Diameter:	130 mm / 5.12"
Cut out diameter:	122 mm / 4.8"
Weight:	0.38 kg / 0.84 lbs

VSA

COLUMNS

VSA II SERIES

DIGITALLY STEERABLE COLUMN SPEAKER

The VSA II system allows the audio signal to be addressed exactly to the listening area, avoiding the radiation of the acoustic energy to ceilings and empty floors; this eliminates any bad reflections that would affect speech intelligibility, mainly in critical environments with high reverberation. VSA offers a precise directivity and control to give high intelligibility performance with wide frequency response, high-dynamics and coherence at distance. Thanks to the reliable and powerful amplifiers, the accurate speaker design, and the high efficiency of the digital technology, VSA II is able to achieve an extended and stable coverage, preserving at the same time a smooth uniform horizontal coverage.



VSA 2050 II



VSA 1250 II



VSA 850 II



The unobtrusive and robust aluminium cabinet blends seamlessly in any architecturally sensitive environments. The standard colors are white RAL 9003 and black RAL 9005, and custom colours are available on request. The modular design approach offers a uniform heat dissipation for maximum consistency over time. The installation is particularly simple thanks to the drilling template on the wooden package and the light weight of the speaker. Optional swivel brackets are available on request if the column has to be oriented horizontally.



The state of the art transducer developed for the VSA II offers the highest possible intelligibility and wider frequency response, according to RCF philosophy. A 1,4 tesla flux density is the result of the massive neodymium magnet to get an incredible mid frequency dynamic range. The neodymium magnet is very lightweight and helps to compact the size of the overall system.

RDNet NETWORKED MANAGEMENT

The RCF RDNet is the perfect tool to help you to configure your VSA II system setup in any venues. The software helps to monitor and control all individual speakers with its own DSP setting and to secure the best performance of the system configuration.

RDNet is a secure and robust management for small, medium, and arena-sized sound systems as well as complex and extended installations. Based on a proprietary network protocol RDNet provides straightforward monitoring and intuitive control of the RCF audio system down to every connected device/object.

VSA SMART RC

The VSA-RC is an easy way to control the VSA speakers through the VSA Remote App available on iOS or Android. The following data are configurable on each VSA through the VSA-RC remote control:

- Select the proper beaming and tilting configuration
- Delay in metres
- Voice/music optimization filters
- Polarity
- Mute
- Volume
- Stand-By

- 50 W Class-D power amplifier for each transducer (VSA 2050 II: 20 | VSA 1250 II: 12 | VSA 850 II: 8)
- 48 kHz 32 bit processing
- Vertical Dispersion controlled up to 10° till 300 Hz
- Power Supply 115/230Vac; 24Vdc
- Extruded aluminium body

- Ceramic block terminals and thermal fuse on OdB balanced priority input
- Standard installation accessories included
- Easy and fast configuration
- Indicators and control for EN 60849 monitoring facility
- Custom colors available

2050

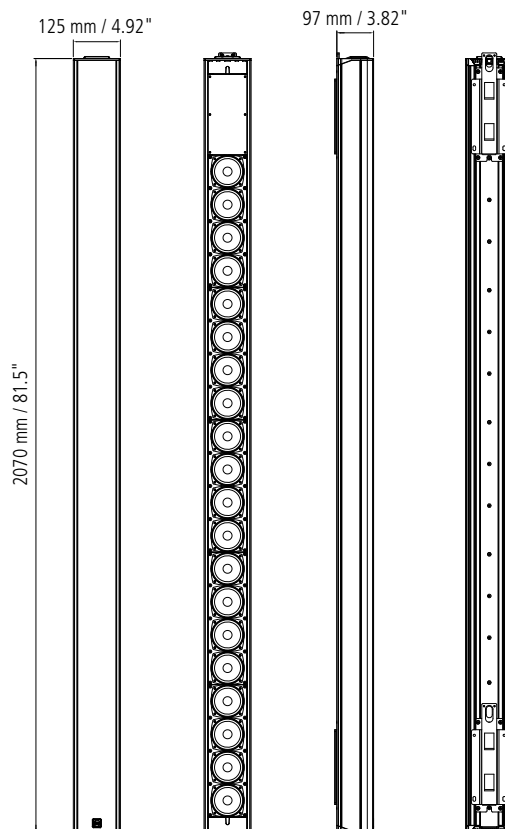
COLUMN

VSA 2050 II

DIGITALLY STEERABLE COLUMN SPEAKER

The VSA 2050 II is a multi-amplified vertical steerable array that represents one of the latest RCF applications in terms of digital audio technology. Thanks to powerful DSPs it processes the audio signal sent to each speaker for controlling its vertical acoustic dispersion to address the audio signal exactly to the listening area, avoiding to send the acoustic energy to ceilings and empty floors, thus not introducing bad reflections that would affect speech intelligibility, mainly in critical environments with high reverberation time. Full RNet compatibility.

- 20 x Class D, 50 W amplifiers
- 96 dB Max SPL (@ 30 m)
- 20 x 3.5" neo full range speakers
- 48 kHz 32 bit processing
- Horizontal dispersion 130°
- Vertical Coverage Beam from 10° to 30°
- Vertical Steering from 0° to -40°
- Standard installation accessories included
- Extruded aluminium body



PRODUCT NAME		PART NUMBER
VSA 2050 II	[220-240V] White	p.n. 13100022
VSA 2050 II B	[220-240V] Black	p.n. 13100053
VSA 2050 II	[220-240V] Custom Color	p.n. 13100024
VSA 2050 II	[115V] White	p.n. 13100023
VSA 2050 II B	[115V] Black	p.n. 13100054
VSA 2050 II	[115V] Custom Color	p.n. 13100031

ACOUSTICAL SPECIFICATIONS

Freq. Range (-10 dB):	100 Hz ÷ 18 kHz
Horiz. Coverage angle (-6 dB):	130°
Vertical coverage angle (-6 dB):	30°
Rated maximum SPL:	96 dB, @ 1m
Total power:	1300 W Peak, 650 W RMS

TRANSDUCERS

Fullrange:	20 x 3.5" neo, 1.0" v.c.
------------	--------------------------

TECHNICAL

Processing	32 bit floating point DSP 24 bit AD converters, 48 kHz
Functionalities	PEQs Channels Compression Beam-forming Speaker limiter and protection
Input sensitivity	0 dBu

TECHNICAL

Input connectors	Balanced screw terminal Ceramic block
Input control	Remote control dedicated IR input Priority input command Status remote monitoring Stand by remote command
Leds	Active Communication Status Emergency

PHYSICAL SPECIFICATIONS

Enclosure:	Aluminium
Color:	Black RAL 9005 White RAL 9003
Grille:	Steel
Cooling:	Convection
Protections:	Thermal, short circuit
Input connectors:	Ceramic screw terminals
Dimensions (HxWxD):	4.9" x 81.5" x 3.8" 125 x 2070 x 97 mm
Weight:	41.8 lbs - 19 kg

ACCESSORIES

IT 4000		p.n. 13360341
SWM-BR VSA II	White	p.n. 13360410
SWM-BR VSA II	Black	p.n. 13360442
TA1000 VSA		p.n. 13360318
VSA SMART RC		p.n. 13360330

Specifications pag. 43

1250

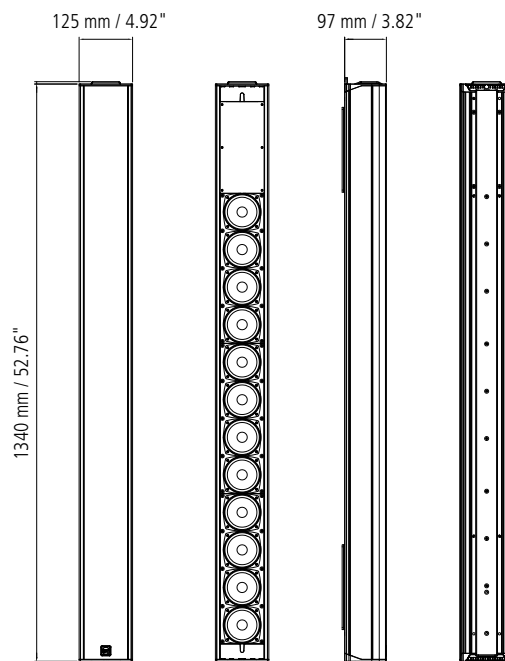
COLUMN

VSA 1250 II

DIGITALLY STEERABLE COLUMN SPEAKER

The VSA 1250 II is a multi-amplified vertical steerable array that represents one of the latest RCF applications in terms of digital audio technology. Thanks to powerful DSPs it processes the audio signal sent to each speaker for controlling its vertical acoustic dispersion to address the audio signal exactly to the listening area, avoiding to send the acoustic energy to ceilings and empty floors, thus not introducing bad reflections that would affect speech intelligibility, mainly in critical environments with high reverberation time. Full RNet compatibility.

- 12 x Class D, 50 W amplifiers
- 94 dB Max SPL (@ 30 m)
- 12 x 3.5" neo full range speakers
- 48 kHz 32 bit signal processing
- Horizontal dispersion 130°
- Vertical Coverage Beam from 10° to 30°
- Vertical Steering from 0° to -40°
- Standard installation accessories included
- Extruded aluminium body



PRODUCT NAME		PART NUMBER
VSA 1250 II	[220-240V] White	p.n. 13100025
VSA 1250 II B	[220-240V] Black	p.n. 13100055
VSA 1250 II	[220-240V] Custom Color	p.n. 13100027
VSA 1250 II	[115V] White	p.n. 13100026
VSA 1250 II B	[115V] Black	p.n. 13100056
VSA 1250 II	[115V] Custom Color	p.n. 13100032

ACOUSTICAL SPECIFICATIONS

Freq. Range (-10 dB):	100 Hz ÷ 18 kHz
Horiz. Coverage angle (-6 dB):	130°
Vertical coverage angle (-6 dB):	30°
Rated maximum SPL:	94 dB, @ 1m
Total power:	1300 W Peak, 650 W RMS

TRANSDUCERS

Fullrange:	12 x 3.5" neo, 1.0" v.c.
------------	--------------------------

TECHNICAL

Processing	32 bit floating point DSP 24 bit AD converters, 48 kHz
Functionalities	PEQs Channels Compression Beam-forming Speaker limiter and protection
Input sensitivity	0 dBu

TECHNICAL

Input connectors	Balanced screw terminal Ceramic block
Input control	Remote control dedicated IR input
Leds	Active Communication Status Emergency

PHYSICAL SPECIFICATIONS

Enclosure:	Aluminium
Color:	Black RAL 9005 White RAL 9003
Grille:	Steel
Cooling:	Convection
Protections:	Thermal, short circuit
Input connectors:	Ceramic screw terminals
Dimensions (HxWxD):	4.9" x 52.7" x 3.8" 125 x 1340 x 97 mm
Weight:	13.8 kg / 30.42 lbs

ACCESSORIES

IT 4000		p.n. 13360341
SWM-BR VSA II	White	p.n. 13360410
SWM-BR VSA II	Black	p.n. 13360442
TA1000 VSA		p.n. 13360318
VSA SMART RC		p.n. 13360330

Specifications pag. 43

850

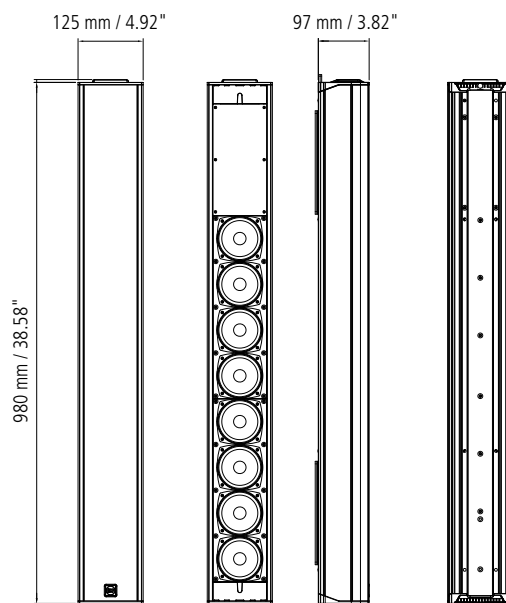
COLUMN

VSA 850 II

DIGITALLY STEERABLE COLUMN SPEAKER

The VSA 850 II is a multi-amplified vertical steerable array that represents one of the latest RCF applications in terms of digital audio technology. Thanks to powerful DSPs it processes the audio signal sent to each speaker for controlling its vertical acoustic dispersion to address the audio signal exactly to the listening area, avoiding to send the acoustic energy to ceilings and empty floors, thus not introducing bad reflections that would affect speech intelligibility, mainly in critical environments with high reverberation time. Full RNet compatibility.

- 8 x Class D, 50 W amplifiers
- 93 dB Max SPL (@ 30 m)
- 8 x 3.5" neo full range speakers
- 48 kHz 32 bit signal processing
- Horizontal dispersion 130°
- Vertical Coverage Beam from 10° to 30°
- Vertical Steering from 0° to -40°
- Standard installation accessories included
- Extruded aluminium body



PRODUCT NAME		PART NUMBER
VSA 850 II	[220-240V] White	p.n. 13100028
VSA 850 II B	[220-240V] Black	p.n. 13100057
VSA 850 II	[220-240V] Custom Color	p.n. 13100030
VSA 850 II	[115V] White	p.n. 13100029
VSA 850 II B	[115V] Black	p.n. 13100058
VSA 850 II	[115V] Custom Color	p.n. 13100033

ACOUSTICAL SPECIFICATIONS

Freq. Range (-10 dB):	130 Hz ÷ 18 kHz
Horiz. Coverage angle (-6 dB):	130°
Vertical coverage angle (-6 dB):	30°
Rated maximum SPL:	93 dB, @ 1m
Total power:	1300 W Peak, 650 W RMS

TRANSDUCERS

Fullrange:	8 x 3.5" neo, 1.0" v.c.
------------	-------------------------

TECHNICAL

Processing	32 bit floating point DSP 24 bit AD converters, 48 kHz
Functionalities	PEQs Channels Compression Beam-forming Speaker limiter and protection
Input sensitivity	0 dBu

TECHNICAL

Input connectors	Balanced screw terminal Ceramic block
Input control	Remote control dedicated IR input
	Priority input command Status remote monitoring
	Stand by remote command
Leds	Active Communication Status Emergency

PHYSICAL SPECIFICATIONS

Enclosure:	Aluminium
Color:	Black RAL 9005 White RAL 9003
Grille:	Steel
Cooling:	Convection
Protections:	Thermal, short circuit
Input connectors:	Ceramic screw terminals
Dimensions (HxWxD):	4.9" x 38.5" x 3.8" 125 x 980 x 97 mm
Weight:	13.2 kg / 29.1 lbs

ACCESSORIES

		Specifications pag. 43
IT 4000		p.n. 13360341
SWM-BR VSA II	White	p.n. 13360410
SWM-BR VSA II	Black	p.n. 13360442
TA1000 VSA		p.n. 13360318
VSA SMART RC		p.n. 13360330

VSA ACCESSORIES

VSA SMART RC

cod. 13360330

SMARTPHONE REMOTE CONTROL FOR VSA COLUMN SPEAKERS

The VSA-RC is an easy way to control the VSA speakers through the VSA Remote App available on iOS or Android. The I/R receiving diode is recessed, and its directivity coverage has been narrowed to receive I/R commands just from the dedicated remote located in front of the column axis. Thanks to this, if two columns are one close to the other, there is no risk to drive two receivers at the same time.

- Select the proper beaming and tilting configuration
- Delay in metres
- Voice/music optimization filters
- Selection of equalization
- Phase rotation
- Input selection
- Delay setting



SWM-BR VSA II BLACK

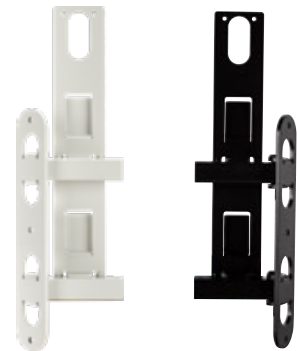
cod. 13360442 **BLACK**

SWM-BR VSA II

cod. 13360410 **WHITE**

PAIR OF SWIVEL BRACKETS FOR VSA COLUMN SPEAKERS

- Two mounting points for the VSA loudspeaker rear side.
- Three holes for wall mounting through M5 wall plugs.
- Two bolts and nuts (used as pins) can be tightened to fix the VSA loudspeaker when the horizontal angle pointing is correct.
- Two holes to secure the VSA loudspeaker to the swivel bracket through two screws (M5x10)



TA1000 VSA

cod. 13360318

100V TRANSFORMER FOR VSA ACTIVE SPEAKERS

TA 1000 is an accessory that consists of a small printed circuit board with a transformer that allows the connection of a 100 V line (amplifier output) directly to the aux audio input (0 dBu) of an active speaker.



IT 4000

cod. 13360341

INPUT TRANSFORMER 100V TO 0 DB FOR VSA ACTIVE SPEAKERS

IT 4000 is an accessory that consists of a transformer that allows the connection of a 100V (or 70V) passive speakers line directly to the audio input (0 dBu) of an active speaker.



L24

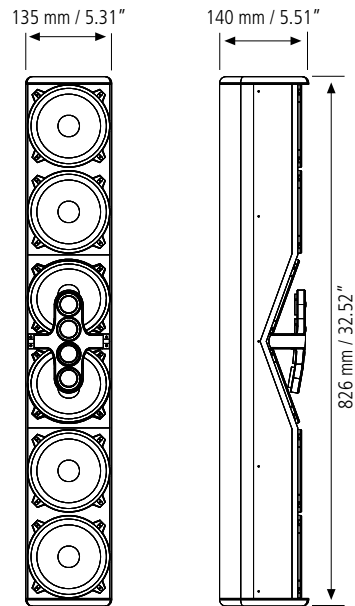
COLUMN

L 2406T

THREE-WAY SPEAKER COLUMN ARRAY

The L2406T is a full range high intelligibility compact 3 way column speaker array with vertical controlled directivity for medium to large size installations. It is equipped with six 5" woofers and four 1" dome tweeters mounted in front of the two central woofers. This particular design permits coherent sound dispersion minimizing lobing in a very compact enclosure. The two central woofers are controlled differently from the other four because of the tweeters in front of them, in order to improve the directivity providing a true cardioid column operation. The wide coverage horizontal angle and the controlled vertical dispersion allow correct sound reproduction serving a wide area and assistance in limiting feedback and reverberated sound. A speech filter can be activated for enhancing the voice frequencies and improving speech intelligibility. The crossover is designed to avoid secondary lobe creation. Mounting accessories are provided and are designed to keep the column as close as possible to the wall and simplify the installation allowing suitable tilting. The L2406T can be used connected to a low impedance amplifier to handle 200 W RMS power. It also includes a 60 W line transformer for 100 V systems. The crossover is equipped with a circuit to protect the four 1" dome tweeters.

- 200 W RMS power handling
- 126 dB max SPL
- 100 ÷ 20000 Hz frequency range
- 150° x 30° constant directivity coverage angle
- 6 x 5" woofers
- 4 x 1" dome tweeters
- Baltic birch plywood cabinet
- Speech enhancer filter



PRODUCT NAME		PART NUMBER
L 2406T	Black	p.n. 13000169
L 2406T W	White	p.n. 13000177

ACOUSTICAL SPECIFICATIONS

Freq. Range (-10 dB):	100 Hz ÷ 20 kHz
Horiz. Coverage angle (-6 dB):	150°
Vertical coverage angle (-6 dB):	30°
System sensitivity:	97 dB, 1W @ 1m
Rated maximum SPL:	126 dB, @ 1m
System input power rating RMS:	200 W
System input power rating peak:	800 W
Recommended amplifier:	400 W
Power selection (100 V):	60 - 30 - 15 - 10 W

TRANSDUCERS

Low frequency:	6 x 5" (130 mm) woofer, 1" (25 mm) v.c.
Nominal impedance:	8 ohm
Input power rating:	30 W AES; 60 W Peak
Sensitivity:	90 dB, 1W @ 1m
High frequency:	4 X 1"(25 mm) throat, 1"(25 mm) v.c.
Nominal impedance:	8 ohm
Input power rating:	10 W AES, 20 W PEAK
Sensitivity:	90 dB, 1W @ 1m

PHYSICAL SPECIFICATIONS

Enclosure:	Baltic birch plywood
Hardware:	10 W AES, 20 W
Color:	Black and White
Grille:	Steel
Dimensions (HxWxD):	32.52"x 5.31"x 5.51" 826 x 135 x 140 mm
Weight:	12.8 kg / 28.22 lbs

100 COLUMN

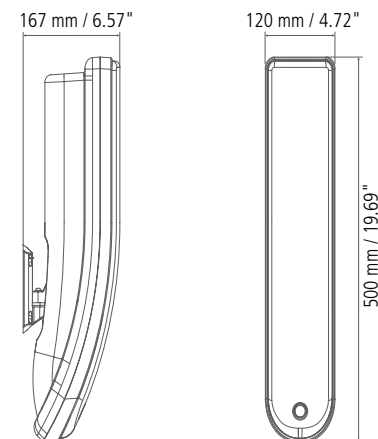


MQ 100L

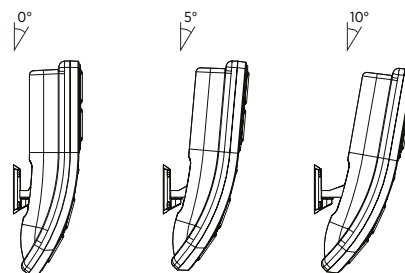
THREE-WAY COLUMN LOUDSPEAKER

MQ 100L (available in black and white) is a 3 way column loudspeaker providing natural hi-fi delity sound of both speech and music, suitable for sound system having fixed loudspeakers where the environment is acoustically critical or with architectural constraints. The wide horizontal coverage angle (180°) and the vertical dispersion (60°) allow the correct sound reproduction in a wide space, in order to limit feedback and improve the sound directivity which is important, for instance, in halls having a long reverberation time. The mounting accessories are included. These have been engineered to keep the column as close as possible to the wall and simplify the installation. The 60° vertical dispersion is asymmetric: it is the difference between 20° upwards and 40° downwards. The vertical dispersion axis is in fact already angled 10° downwards, making it unnecessary to tilt the sound column excessively..

- 2 rubber surround 3.5" woofers
- 2 fabric surround 3.5" mid-woofers
- 2 cloth coated 0.75" dome tweeters
- 118 dB (80 W/1 m) max. SPL
- Incl. 100V transformer multitap
- Power rotary switch
- Direct connection to Low-Z speaker lines
- Easy to install



Its tilt angle can be chosen among 0° - 5° - 10°.



PRODUCT NAME		PART NUMBER
MQ 100L B	Black	p.n. 13000186
MQ 100L W	White	p.n. 13000187

ACOUSTICAL SPECIFICATIONS

Freq. Range (-10 dB):	130 Hz ÷ 20 kHz
Horiz. Coverage angle (-6 dB):	180°
Vertical coverage angle (-6 dB):	60°
System sensitivity:	93 dB, 1W @ 1m
Rated maximum SPL:	112 dB, @ 1m
System input power rating RMS:	80 W
System input power rating peak:	320 W
Recommended amplifier:	60 W
Power selection (100 V):	40 - 20 - 10 - 5 W

TRANSDUCERS

Low frequency:	2 x rubber surround 3.5" (89 mm) woofer
Midrange frequency:	2 x rubber surround 3.5" (89 mm) woofer
High frequency:	2 cloth coated 0.75" (25 mm) dome tweeter

PHYSICAL SPECIFICATIONS

Enclosure:	Plastic
Hardware:	Wall mount bracket
Color:	Black and White
Grille:	Steel
Dimensions (HxWxD):	19.69" x 4.72" x 6.57" 500x120x167 mm
Weight:	2.73 kg / 6.02 lbs

DP5 PROJECTOR

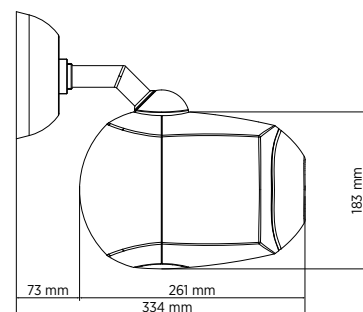
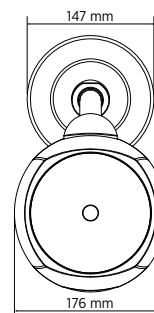
DP 5EN

UNIDIRECTIONAL SOUND PROJECTOR

DP 5EN is a weatherproof sound projector suitable for all those installations where high intelligibility for alarm messages broadcasting and great sound reproduction quality are required. Thanks to its IP65 protection grade, it can be installed both indoor and outdoor. Moreover, a modern and endearing design makes it the perfect product for environments where projectors are intended also as architectural elements and contribute to improve global aesthetics.



- 5" fullrange transducer
- Power selectable (100 V): 20 - 10 - 5 - 2.5 W
- 88 dB sensitivity
- Colour white RAL 9016
- Flameproof ABS body, steel grille
- In/out ceramic terminal block
- Thermal fuse protection
- Protection grade IP65



PRODUCT NAME	PART NUMBER
DP 5EN	p.n. 13133076

CERTIFICATION	
EN 54-24	CPR: 0068-CPR-058/2014 

ACOUSTICAL SPECIFICATIONS	
Frequency Response (-10dB):	80 Hz ÷ 20000 Hz
Coverage angle:	210°
Max SPL @ 1m:	101 dB
Max SPL @ 4m:	89 dB
System Sensitivity:	88 dB
System Sensitivity 1W @ 4m:	76 dB
Power Handling:	20 W RMS
Peak Power Handling:	80 W PEAK
Recommended Amplifier:	40 W
Protections:	Thermal fuse

ACOUSTICAL SPECIFICATIONS	
Power selection (100 V):	20 - 10 - 5 - 2.5 W

TRANSDUCERS	
Fullrange:	5.0"

PHYSICAL SPECIFICATIONS	
Enclosure:	ABS
Input/Output connectors:	Ceramic screw terminals
IP protection grade:	IP 65
Hardware:	Wall mount metal plate
Color:	White - RAL 9016
Grille:	Steel
Height:	183 mm / 7.2 inches
Width:	176 mm / 6.93 inches
Depth:	261 mm / 10.28 inches
Weight:	2.61 kg / 5.75 lbs

BS5 PENDANT

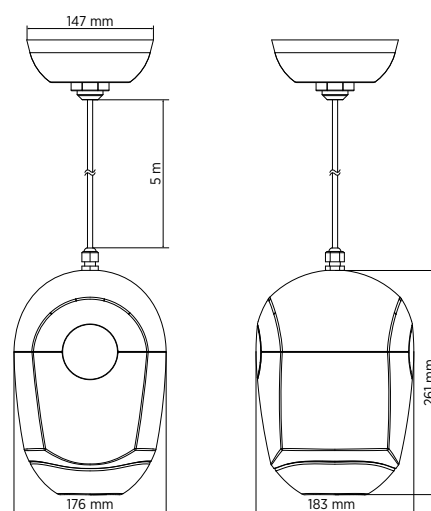
BS 5EN

PENDANT SEPAKER

BS 5EN is a pendant speaker suitable for all those installations where high intelligibility for alarm messages broadcasting and great sound reproduction quality are required. Thanks to its IP65 protection grade, it can be installed both indoor and outdoor. Moreover, a modern and endearing design makes it the perfect product for environments where projectors are intended also as architectural elements and contribute to improve global aesthetics.



- 5" coaxial woofer with 0.75" dome tweeter
- Power selectable (100 V): 20 - 10 - 5 - 2.5 W
- 88 dB sensitivity
- Colour white RAL 9016
- Flameproof ABS body, steel grille
- In/out ceramic terminal block
- Thermal fuse protection
- Protection grade IP65



PRODUCT NAME	PART NUMBER
BS 5EN	p.n. 13133078

CERTIFICATION

EN 54-24	CPR: 0068-CPR-058/2014	CE
-----------------	-------------------------------	-----------

ACOUSTICAL SPECIFICATIONS

Frequency Response (-10dB):	80 Hz ÷ 20000 Hz
Coverage angle:	170°
Max SPL @ 1m:	101 dB
Max SPL @ 4m:	89 dB
System Sensitivity:	88 dB
System Sensitivity 1W @ 4m:	76 dB
Power Handling:	20 W RMS
Peak Power Handling:	80 W PEAK
Recommended Amplifier:	40 W
Protections:	Thermal fuse

ACOUSTICAL SPECIFICATIONS

Power selection (100 V):	20 - 10 - 5 - 2.5 W
--------------------------	---------------------

TRANSDUCERS

Dome Tweeter:	0.75"
Woofer:	Coaxial 5.0"

PHYSICAL SPECIFICATIONS

Enclosure:	ABS
Input/Output connectors:	Ceramic screw terminals
IP protection grade:	IP 65
Hardware:	Wall mount metal plate - 5m cable
Color:	White - RAL 9016
Grille:	Steel
Height:	261 mm / 10.28 inches
Width:	176 mm / 6.93 inches
Depth:	183 mm / 7.2 inches
Weight:	2.79 kg / 6.15 lbs

S12

SUBWOOFER

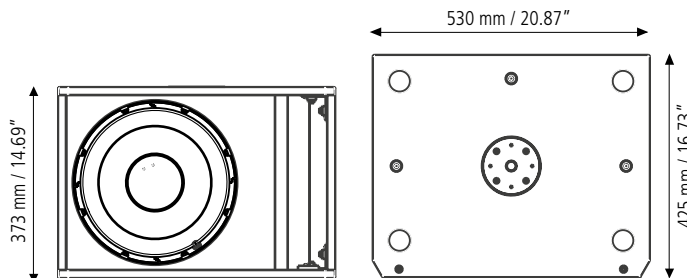


S 12

BASS REFLEX SUBWOOFER

S 12 is a high-power, compact subwoofer system ideal for installations where the physically small size and impact of a 12" driver are desired. Extending the frequency response below 40Hz, this highly efficient design is capable of providing output levels normally associated with considerably larger enclosures. A system suited to music playback in applications ranging from clubs, bars and cafes, right through to theatres and corporate applications. The low-frequency transducer is a 12" woofer with a 2.5" voice coil. Its design is the result of the latest refinements in compact subwoofer production, resulting in a fast and controlled reproduction of the bass frequency range. It is particularly well-suited for high-quality multimedia applications.

- 400W AES power handling
- 125 dB max SPL
- 40 ÷ 200 Hz frequency range
- 1 x 12" high-power woofer
- High-quality plywood cabinet
- Steel front grille with clothing
- M20 standard pole mount in the top section of the cabinet
- 4 pole EUROBLOCK connector (audio input and parallel link output)



PRODUCT NAME	PART NUMBER
S 12	p.n. 13000618

ACOUSTICAL SPECIFICATIONS

Freq. Range (-10 dB):	40 Hz ÷ 200 Hz
System sensitivity:	93 dB, 1W @ 1m
Rated maximum SPL:	125 dB, @ 1m
System nominal impedance:	8 ohm
System input power rating RMS:	400 W
System input power rating PEAK:	1600 W
Recommended amplifier:	800 W

TRANSDUCERS

Low frequency:	12" (304 mm) woofer, 2.5" (63.5 mm) v. c.
Nominal impedance:	8 ohm

TRANSDUCERS

Input power rating:	400 W AES, 800 W PEAK
Sensitivity:	93 dB, 1W @ 1m

PHYSICAL SPECIFICATIONS

Enclosure:	Rectangle, 15 mm MDF
Rigging inserts:	1 x M20, 10 x M10
Color:	Black
Grille:	Steel with clothing
Input connectors:	Euroblock
Dimensions (HxWxD):	14.96" x 17.72" x 16.54" 373x530x425 mm
Weight:	50.27 lbs 22.8 kg

ACCESSORIES

PNL IN-OUT SPEAKON	Specifications pag. 52 p.n. 12399062
--------------------	---

S10

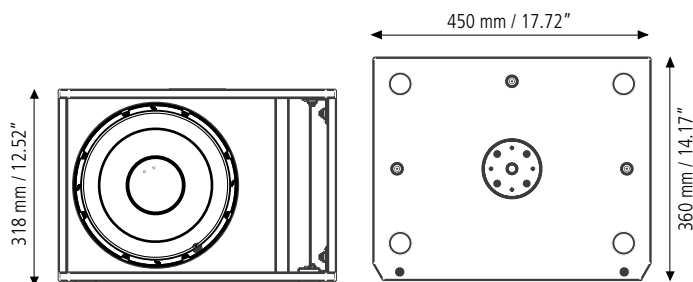
SUBWOOFER

S 10

BASS REFLEX SUBWOOFER

S 10 is a high-power, compact subwoofer system ideal for installations where the physically small size and impact of a 10" driver are desired. Extending the frequency response below 50Hz, this highly efficient design is capable of providing output levels normally associated with considerably larger enclosures. A system suited to music playback in applications ranging from clubs, bars and cafes, right through to theatres and corporate applications. The low-frequency transducer is a 10" woofer with a 2.5" voice coil. Its design is the result of the latest refinements in compact subwoofer production, resulting in a fast and controlled reproduction of the bass frequency range. It is particularly well-suited for high-quality multimedia applications.

- 400W AES power handling
- 124 dB max SPL
- 50 ÷ 200 Hz frequency range
- 1 x 10" high-power woofer
- High-quality plywood cabinet
- Steel front grille with clothing
- M20 standard pole mount in the top section of the cabinet
- 4 pole EUROBLOCK connector (audio input and parallel link output)



PRODUCT NAME	PART NUMBER
S 10	p.n. 13000617

ACOUSTICAL SPECIFICATIONS

Freq. Range (-10 dB):	50 Hz ÷ 200 Hz
System sensitivity:	92 dB, 1W @ 1m
Rated maximum SPL:	124 dB, @ 1m
System nominal impedance:	8 ohm
System input power rating RMS:	400 W
System input power rating PEAK:	1600 W
Recommended amplifier:	800 W

TRANSDUCERS

Low frequency:	10" (254 mm) woofer, 2.5" (63.5 mm) v.c.
Nominal impedance:	8 ohm

TRANSDUCERS

Input power rating:	400 W AES, 800 W PEAK
Sensitivity:	92 dB, 1W @ 1m

PHYSICAL SPECIFICATIONS

Enclosure:	Rectangle, 15 mm MDF
Rigging inserts:	10 x M10
Color:	Black
Grille:	Steel with clothing
Input connectors:	Euroblock
Dimensions (HxWxD):	12.52"x17.72"x14.17" 318x450x360 mm
Weight:	41.23 lbs 18.7 kg

ACCESSORIES

PNL IN-OUT SPEAKON	Specifications pag. 52 p.n. 12399062
--------------------	---

90S

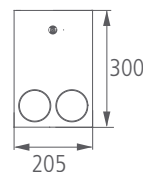
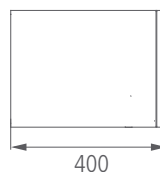
SUBWOOFER

MQ 90S

COMPACT SUBWOOFER

90S is a compact band-pass 8" subwoofer. It can be connected through a removable Euroblock plug that allows the parallel connection of other loudspeakers. The cabinet material is MDF with a scratch resistant surface. The subwoofer has internally a transformer for constant voltage lines (100 or 70 V). The power selection is made by means of its selector. It is for indoor use only (avoid to use it in very humid places). It should be put on the floor of a room where "satellite" loudspeakers (for mid / high frequencies) are already present. MQ 90S belongs to RCF Monitor Q series.

- 8" woofer
- Power selectable (100 V): 60 – 30 – 15 – 7.5 W
- 89 dB sensitivity
- Colour black RAL 9005
- PVC covered chipboard and painted front MDF
- 16 Ohm by-pass



PRODUCT NAME

MQ 90S

PART NUMBER

p.n. 13000097

ACOUSTICAL SPECIFICATIONS

Freq. Range (-10 dB):	70 Hz ÷ 200 Hz
System sensitivity:	89 dB, 1W @ 1m
Rated maximum SPL:	107 dB, @ 1m
System nominal impedance:	16 ohm
System input power rating RMS:	60 W
System input power rating PEAK:	240 W
Recommended amplifier:	120 W
Low-pass frequencies:	200 Hz

ACOUSTICAL SPECIFICATIONS

Power selection (100 V): 60 - 30 - 15 - 7.5 W

TRANSDUCERS

Low frequency: 8" (203 mm) woofer

PHYSICAL SPECIFICATIONS

Enclosure:	MDF
Color:	Black - RAL 9005
Input connectors:	4 x Euroblock
Dimensions (HxWxD):	11.81"x8.07"x15.75" 300x205x400 mm
Weight:	8.06 kg / 17.77 lbs

RDN ELECTRONICS

et



RDNET CONTROL 8

8 OUTPUT MASTER UNIT

RDNet Control 8 is a USB/Ethernet interface with 8 RDNet inputs, able to connect up to 256 (8x32) RCF RDNet compatible devices via Ethernet CAT5 cables. With Control 8 and RDNet management software, it's possible to manage and control single or groups of devices with in-depth real-time monitoring. The RDNet Scan function sequentially scans all audio devices connected to Control 8, recognizes, assigns digital address labels, and adds them as objects in the main RDNet window for management, audio routing, monitoring, and adjustments.

p.n. 17170154

- Ethernet (remote control) and USB (direct control) PC connection to RDNet
- Control up to 8 SUB-NETS of up to 32 slave devices
- All devices are cyclically scanned ("polling") 10 times a second
- Auto detect device placement
- Controlling slave devices status and functions
- Monitoring and displaying faults and warnings sent from slave devices
- Storing subnet user filters configuration in a removable memory card

RDNET CONTROL 2

2 OUTPUT MASTER UNIT

RDNet Control 2 is a USB/Ethernet interface with 2 RDNet inputs, able to connect up to 64 (2x32) RCF RDNet compatible devices via Ethernet CAT5 cables. With Control 2 and RDNet management software, it's possible to manage and control single or groups of devices with in-depth real-time monitoring. The RDNet Scan function sequentially scans all audio devices connected to Control 2, recognizes, assigns digital address labels, and adds them as objects in the main RDNet window for management, audio routing, monitoring, and adjustments.



p.n. 17170163

- Real-time USB device monitoring and control
- Auto detect device placement
- Control up to 2 SUB-NETS of up to 32 slave devices
- All devices are cyclically scanned ("polling") 10 times a second
- Connected devices are automatically added to the software synoptic

ACCESSORIES

MONITOR

MA 5

p.n. 13360369

MA 5W

p.n. 13360370 **WHITE**



Bracket for mounting one MR 50 series speaker on the wall

MA 4

p.n. 13360367

MA 4W

p.n. 13360368 **WHITE**



Bracket for mounting one MR 40 speaker on the wall

LINK MQ 60H W

p.n. 13360080

LINK MQ 60H B

p.n. 13360081 **BLACK**

SUSPENDED MOUNT SUPPORT FOR MQ 60H

- LINK MQ 60H can be used to support 2 mq 60h speakers to form an omni directional high quality speaker array (360°) dispersion over a horizontal surface which is controlled over a vertical surface
- LINK MQ 60H is made in fire-glass loaded nylon and it is provided with the slide-in supports for the direct mounting of the two MQ 60H speaker systems
- Central fixing ring for the safe suspension of the speaker assembly through a chain or a steel-wire





SUBWOOFERS

PANEL PNL IN-OUT SPEAKON cod. 12399062

SPEAKON IN-OUT CONNECTOR OPTIONAL PANEL FOR S 12 AND S 10

PNL IN-OUT is an optional panel that allows to switch from EUROBLOCK to SpeakON input / output connectors. This can be done easily thanks to the single connector on the back





RCF



CH A



CH B

MENU

BACK
ESC

PEAK

CH A

MUTE

PEAK

CH B

MUTE



AUX





www.rcf.it

HEADQUARTERS:

RCF S.p.A. Italy
tel. +39 0522 274 411
e-mail: info@rcf.it

RCF UK
Int. +44 (0) 1702 800846
e-mail: info@rcfaudio.co.uk

RCF France
tel. +33 6 24 15 81 76
e-mail: france@rcf.it

RCF Germany
tel. +49 2203 925370
e-mail: germany@rcf.it

RCF Spain
tel. +34 91 817 42 66
e-mail: info@rcfaudio.es

RCF Benelux
tel. +49 (0) 2203 9253724
e-mail: benelux@rcf.it

RCF USA Inc.
tel. +1 732-9026100
e-mail: info@rcf-usa.com