



VOICE ALARM SYSTEMS

DXT 7000

MU 7100EN	pag.	8
POWER AMPLIFIER MANAGER	pag.	10
LINE TRANSFORMER INTERFACE	pag.	11
DIGITAL POWER AMPLIFIERS	pag.	12
MICROPHONE CONSOLE	pag.	14
ACCESSORIES	pag.	16
CONFIGURATION EXAMPLES	pag.	20

DXT 3000

MASTER UNITS WITH AMPLIFIERS	pag.	24
DESKTOP PAGING MICROPHONES	pag.	26
ACCESSORIES	pag.	28
CONFIGURATION EXAMPLES	pag.	30

SPEAKERS

CEILING SPEAKER	pag.	34
UNIDIRECTIONAL, BIDIRECTIONAL AND PENDANT SOUND PROJECTOR	pag.	39
TWO-WAY BASS REFLEX CABINET SPEAKERS	pag.	45
COLUMN SPEAKER	pag.	48
WALL/CEILING STEEL SPEAKER	pag.	49
HORN SPEAKER	pag.	52
LOUDSPEAKER CABLES	pag.	55

RACK COMPONENTS

RACK ENCLOSURES	pag.	58
ACCESSORIES	pag.	60

ALPHABETICAL INDEX	pag.	62
PART NUMBER INDEX	pag.	63

TRA FOTOGRAFICA
MENTE GRATUITA
ATA NATIONAL GEOGRAPHIC
AL 22 GIUGNO
16 SETTEMBRE



ARK
DEL SAPORE



h

Cliff
The
Surreal





INTELLIGENT EVACUATION SYSTEMS **EN 54**

In any place where people live and work, dangerous situations may occur, requiring an effective and efficient evacuation of affected areas, in conditions of maximum safety for all occupants and avoiding panic as much as possible.

In these circumstances, time is precious and each second saved means saving human lives. For this reason the use of Intelligent Evacuation Systems - designed to communicate clear and intelligible instructions - is crucial.

Alarms transmitted using encoded tones, usually generated by sirens or alarm sounders, are a suitable solution where occupants are periodically trained to behave in a specific way depending on the specific alarm.

However in crowded places, where occupants are occasional bystanders or even foreigners and need to be reassured and guided along safe routes, it is more effective to use a paging microphone and pre-recorded messages, performed in an intelligible way and containing specific instructions on how to behave in situations of alarm or warning (e.g. how to use escape routes).

The normative UNI ISO 7240-19 is in force since 2011, introducing new rules and procedures for the design, installation and maintenance of voice evacuation systems, also known as Sound Systems for Emergency Purposes (SSEP), and the use of EN 54 certified components.

The UNI ISO 7240-19 contains all information necessary for designers, installers, maintenance engineers and construction companies. Electronics must include devices and strategies for self-diagnosis and protection, and must be certified by accredited notified bodies according to EN 54-16, plus the loudspeakers must be in accordance with EN 54-24.

APPLICATIONS

Environments which are more critical in terms of occupants' safety (since they are the most critical to be alerted and evacuated) are those with the highest concentration of people. The risk is high and the area to evacuate particularly extended.

Examples: hospitals, schools, shopping centres, sales areas, places of entertainment (cinemas, theatres, clubs, etc.), densely populated buildings (offices buildings), factories (production sites, warehouses, etc.), powerstations, chemical industries, railway stations, subways and airports are the most common structures.

SYSTEMS' AVAILABILITY

An intelligent EN54-certified evacuation system must be operational 24 hours a day, every day of the year.

In case of interruption of the primary power supply, it must be powered by a secondary source and its autonomy must be guaranteed for at least 24 hours in a quiescent condition and for 30 minutes in a working condition.

These systems, on which safety depends at all times, must be maintained in perfect working order with periodic inspections.

Intelligent evacuation systems must also be connected to the fire detection system, so that they can react in a programmed way without supervisory staff and communicate the status to the fire alarm system.



DXT 7000

DXT 7000 is a sound system conceived to completely control and manage background music and paging, even for emergency and evacuation purposes.

The system has been designed to fulfil all requirements of EN 54-16 and EN 60849 standard, and it is really scalable, suitable for a wide range of applications: up to 32 MU 7100EN can be linked together in order to get an extended system, including many paging stations and up to 256 loudspeaker lines / paging zones.

The main unit can play all necessary evacuation and alarm messages previously stored into its built-in digital memory.



SPARE AMPLIFIER CHANGE OVER BOARD

The line transformer interface override voltage output is used to activate the relay in case of the main amplifier is faulty.



PATH MONITORING

The whole signal path from fireman's microphone to loudspeaker lines is completely and automatically monitored against faults.

The 8 internal digital amplifiers are highly reliable and their efficiency is excellent (> 90%): that means less heat dissipation and smaller capacity required for unbreakable power supply sources (UPS) used in security applications.

A digital Matrix 7x8 is configurable for several applications with routing to any output channel, supported by an efficient Digital Signal Processor (DSP) providing Band Parametric EQ, Filters, Delay circuit for line arrays, Compressor / Limiter and Level controls.

A software utility is available for saving unit parameters to PC, updating unit firmware, virtual control activation and status indication.

AMPLIFIED MASTER UNIT



MU 7100EN is the master unit of the DXT 7000 Voice Alarm system, designed to fulfill all requirements of EN 54-16 and EN 60849 standard. The whole signal path from microphone to loudspeaker lines is completely and automatically monitored against faults. All properties and functions of the system are specified with Windows based DXT 7000 configuration software and are downloaded to master unit through its USB port.

- 8 x 7 configurable digital matrix
- Powerful DSP platform on-board
- Dual AC and DC power supply
- 8 x 80 W power amplifier
- PC software configuration
- Emergency messages on monitored memory
- Up to 32 units linked together
- Up to 256 loudspeaker lines



CERTIFICATION

EN 54-16 **CPR: 1438-CPR-0241** **CE**

SYSTEM SPECIFICATIONS

Number of zones managed:	128
Amplificatore integrato:	Yes
Spare amplifier automatic change-over:	Yes
Max number of consoles:	32
Number of console buses:	2
Number of simultaneous emergency audio channels:	2
Max number of units connectable:	64
Communication bus:	Serial
Connections cables:	FTP CAT 5, FTP CAT 6
Integrated pre-recorded emergency messages:	Yes
Integrated pre-recorded routine messages:	Yes
Message scheduler:	Yes

SYSTEM SPECIFICATIONS

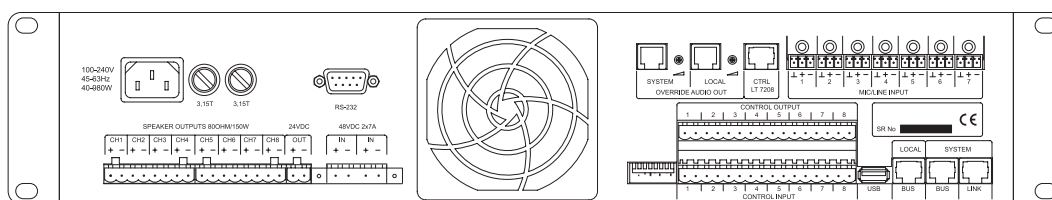
Remote monitoring:	Yes
Protocols for system integration:	ASCII

AMPLIFIER SPECIFICATIONS

Amplifier Class:	D
Number of channels:	8
Linee altoparlanti A/B:	Yes

INPUT SECTION

Total number of inputs:	9
Balanced:	7
Mono:	7
Mic+Line inputs:	7
Mic+Line connectors:	Euroblock
Paging inputs:	2
Paging connectors:	RJ45



INPUT SECTION

General Purpose Inputs (GPI):	8
Programmable GPI:	Yes
Monitored GPI:	8

OUTPUT SECTION

Power Output Lines:	8
Power output connectors:	Euroblock
General Purpose Outputs (GPO):	8
Programmable GPO:	Yes

PROCESSING

DSP, Filtri, Compressore, Delay, Controllo toni

CONTROLS

Configuration:	Interruttore, PC Software
Number of programs/presets:	128
Priority, Music on hold, Chime tone	

PROTECTIONS

Cooling:	Convection/Forced
Dc Delay, Short Circuit, Thermal, Fuses	

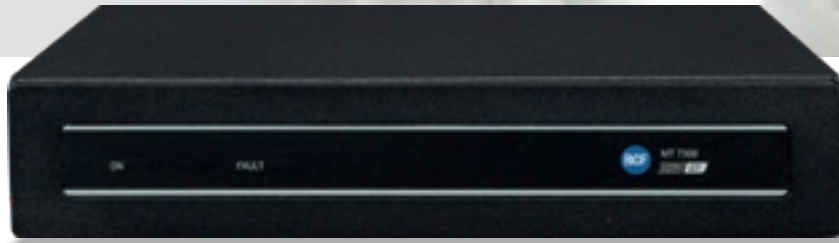
POWER REQUIREMENT

Operating voltage:	90-240 V~ 50/60Hz
DC power:	Yes
DC power value:	48 V
Power consumption:	990 W

PHYSICAL SPECIFICATIONS

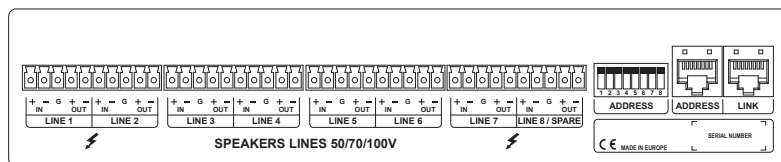
Rack mounting:	19", 2U
Height:	88 mm / 3.46 inches
Width:	485 mm / 19.09 inches
Depth:	375 mm / 14.76 inches
Weight:	8.4 kg / 18.52 lbs

**POWER AMPLIFIERS
MANAGER**



MT 7308 is a power amplifiers manager unit of the DXT 7000 Voice Alarm system, suitable to control up to 8 additional power amplifiers and several speaker lines, according to EN 54-16 norm. It works connected to the MU 7100EN master unit. When speaker lines drive high power loads, it could be convenient to optimize the system configuration by using one or more dedicated power amplifiers dimensioned according to the loads involved.

- Manages up to 8 power amplifiers
- 500 W maximum power of each amplifier
- Up to 8 zones managed
- PC software configuration



CERTIFICATION

EN 54-16

CPR: 1438-CPR-0241



SYSTEM SPECIFICATIONS

Number of zones managed:	8
Max number of units connectable:	2 (for each one MU 7100EN)
Max power of each external amplifier:	500 W RMS
Spare amplifier automatic change-over:	Yes
Communication bus:	Serial
Connections cables:	FTP CAT 5, FTP CAT 6
Output lines connectors:	Euroblock
Configuration:	PC software

PHYSICAL SPECIFICATIONS

Cabinet/Case Material:	Metal
Rack mounting:	1/2 19", 2U
Height:	44 mm / 1.73 inches
Width:	215 mm / 8.46 inches
Weight:	0.98 kg / 2.16 lbs

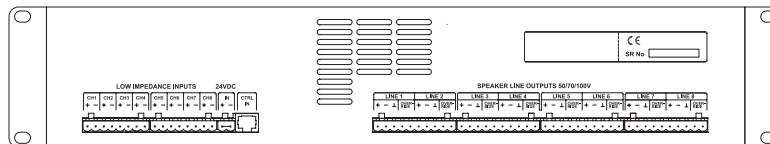
LT 7208EN p/n 17170156

LINE TRANSFORMER INTERFACE



The LT 7208EN unit has 8 internal transformers (80 W / each) to convert the 8 ohm loudspeakers outputs of MU 7100EN master unit into constant voltage lines (100 - 70 - 50 V) for loudspeakers equipped with line transformers. It allows to implement several power configurations, such as 8 x 80 W, 4 x 160 W and 2 x 320 W.

- 8 built-in line transformers
- Link/group MU 7100EN amplifiers
- Speakers line monitoring
- Supports different line voltage setting



CERTIFICATION

EN 54-16

CPR: 1438-CPR-0241



SYSTEM SPECIFICATIONS

Number of inputs:	8
Input impedance:	8 Ohm
Output voltage:	100 V (on request: 70 V – 50 V)
Power output (@ 100 V):	640 W RMS
Communication bus:	Serial
Connections cables:	FTP CAT 5, FTP CAT 6
Output lines connectors:	Euroblock

PHYSICAL SPECIFICATIONS

Cabinet/Case Material:	Metal
Rack mounting:	1/2 19", 1U
Height:	88 mm / 3.46 inches
Width:	485 mm / 19.09 inches
Depth:	382 mm / 15.04 inches
Weight:	13 kg / 28.66 lbs

UP 8501 p/n 12135070
UP 8502 p/n 12135077
UP 8504 p/n 12135079

POWER AMPLIFIER



The UP 8500 series power amplifiers are designed with an innovative RCF power supply and amplification technology. The full digital technology allows merging extremely high efficiency both with AC and DC power supply, pro audio quality reproduction and compactness. All UP 8500 series power amplifiers are certified according to EN 54-16 standard in combination with DXT 7000 Voice Alarm system.

- 500 W power amplifier (UP 8501)
- 2 x 250 W power amplifier (UP 8502)
- 4 x 125 W power amplifier (UP 8504)
- 2 inputs per channel
- Dual AC and DC power supply
- Priority circuit
- No output lines transformers
- Status LEDs on front panel



CERTIFICATION

EN 54-16

CPR: 1438-CPR-0241



AMPLIFIER SPECIFICATIONS	UP 8501	UP 8502	UP 8504
Amplifier Class:	D	D	D
Number of channels:	1	2	4
Power output (@ 100 V):	500 W RMS	500 W RMS	500 W RMS
Frequency Response (-3dB):	40 Hz ÷ 16 kHz	40 Hz ÷ 16 kHz	40 Hz ÷ 16 kHz
Signal/noise rate ("A" weighted)	>86 dB	>86 dB	>86 dB
Crosstalk	-	<70 dB	<60 dB
Distortion (THD+N) @ 1 kHz nominal power	<0.3 %	<0.3 %	<0.3 %

INPUT SECTION

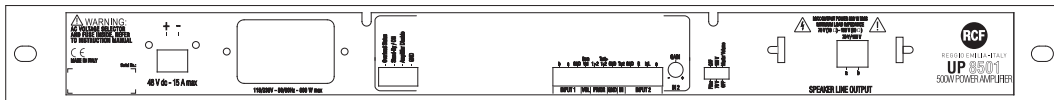
Total number of inputs:	3	6	12
Balanced:	2	4	8
Unbalanced:	1	2	4
Mono:	3	6	12
Line inputs:	3	6	12
Line connectors:	Euroblock	Euroblock	Euroblock

OUTPUT SECTION

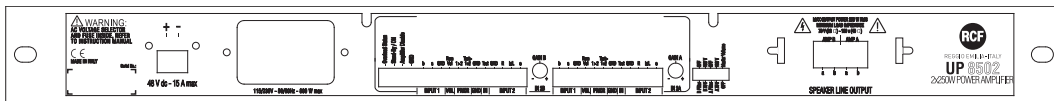
Output lines connectors:	Euroblock	Euroblock	Euroblock
General Purpose Inputs (GPO):	1	2	4



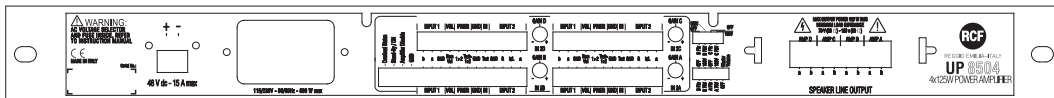
UP 8501



UP 8502



UP 8504



CONTROLS

	UP 8501	UP 8502	UP 8504
Configuration:	DIP switch, Front panel	DIP switch, Front panel	DIP switch, Front panel
Priority:	Yes	Yes	Yes

PROTECTIONS

	UP 8501	UP 8502	UP 8504
Cooling:	Forced	Forced	Forced
Short circuit, Thermal, Fuses	Yes	Yes	Yes

POWER REQUIREMENT

	UP 8501	UP 8502	UP 8504
Operating voltage:	220-240/115 V~ 50/60Hz	220-240/115 V~ 50/60Hz	220-240/115 V~ 50/60Hz
Voltage selection:	Internal	Internal	Internal
DC power:	Yes	Yes	Yes
DC power value:	48 V	48 V	48 V
Power consumption:	800 W	800 W	800 W

PHYSICAL SPECIFICATIONS

	UP 8501	UP 8502	UP 8504
Cabinet/Case Material:	Metal	Metal	Metal
Rack mounting:	19", 1U	19", 1U	19", 1U
Height:	44 mm / 1.73 inches	44 mm / 1.73 inches	44 mm / 1.73 inches
Width:	482 mm / 18.98 inches	482 mm / 18.98 inches	482 mm / 18.98 inches
Depth:	375 mm / 14.76 inches	375 mm / 14.76 inches	375 mm / 14.76 inches
Weight:	5 kg / 11.02 lbs	5.2 kg / 11.46 lbs	5.4 kg / 11.9 lbs

BM 7608
BM 7608D
BM 7608DFM
BM 7624D

p/n 14322015
p/n 14322016
p/n 14322014
p/n 14322018

**DESK-TOP EMERGENCY
MICROPHONE CONSOLES**

These desk-top emergency microphone consoles are exclusively dedicated to DXT 7000 Voice Alarm system, and can be used both for live announcements and pre-recorded messages activation. It features complete self-diagnostic functionalities and system status reporting in compliance with EN 54-16 standard. Up to 8 consoles can be daisy-chained on each paging bus, for a total of 32 consoles.

- Live emergency announcements
- Pre-recorded messages activation
- Complete self-diagnostic
- Numeric keyboard (BM 7608)
- Numeric keyboard and display (BM 7608D, 7608DFM, 7624D)
- Handheld microphone with PTT button (BM 7608DFM)
- Hi-quality cardioid microphone
- Modern design

CERTIFICATION

EN 54-16

CPR: 1438-CPR-0241



MICROPHONE SPECIFICATIONS

	BM 7608	BM 7608D	BM 7608DFM	BM 7624D
Type:	Electret	Electret	Dynamic	Electret
Directivity:	Cardioid	Cardioid	Omnidirectional	Cardioid
Frequency Response (-3dB):	50 Hz ÷ 17 kHz	50 Hz ÷ 17 kHz	50 Hz ÷ 17 kHz	50 Hz ÷ 17 kHz
Total harmonic distortion @1 kHz:	< 0.10%	< 0.10%	< 0.10%	< 0.10%

CONSOLE SPECIFICATIONS

	Emergency	Emergency	Emergency	Emergency
Console Type:	Emergency	Emergency	Emergency	Emergency
General call, Selective call, Preamplified, Configurable buttons, LED indicators	Yes	Yes	Yes	Yes
Display LCD:	-	Yes	Yes	Yes

CONNECTIONS

Connectors:	RJ45	RJ45	RJ45	RJ45
-------------	------	------	------	------



BM 7608



BE 7608D



BM 7608DFM



BM 7624D

CONNECTIONS

	BM 7608	BM 7608D	BM 7608DFM	BM 7624D
Cable:	FTP CAT 5	FTP CAT 5	FTP CAT 5	FTP CAT 5
Daisy-chain:	Yes	Yes	Yes	Yes
Max number in daisy-chain:	8	8	8	8
Interlock:	Yes	Yes	Yes	Yes

FUNCTIONALITIES

Priority, Chime tone generator	Yes	Yes	Yes	Yes
--------------------------------	-----	-----	-----	-----

ACCESSORIES

Cable included length 5 m:	Yes	Yes	Yes	Yes
----------------------------	-----	-----	-----	-----

PHYSICAL SPECIFICATIONS

	Metal	Metal	Metal	Metal
Cabinet/Case Material:	Metal	Metal	Metal	Metal
Height:	55 mm / 2.17 inches	55 mm / 2.17 inches	55 mm / 2.17 inches	55 mm / 2.17 inches
Width:	126 mm / 4.96 inches	226 mm / 8.9 inches	326 mm / 12.83 inches	326 mm / 12.83 inches
Depth:	135 mm / 5.31 inches	135 mm / 5.31 inches	135 mm / 5.31 inches	135 mm / 5.31 inches
Weight:	0.5 kg / 1.1 lbs	0.8 kg / 1.76 lbs	1.2 kg / 2.65 lbs	1 kg / 2.2 lbs

ACCESSORIES



AC 7212 p/n 17170152

SPARE AMPLIFIER BOARD

AC 7212 is an additional board for the DXT 7000 Voice Alarm system that allows to add a spare amplifier unit. LT 7208EN override voltage output activates the AC 7212 relay in case of fault of the main amplifier and switch the spare amplifier output to the respective loudspeaker line.

- Used to add a spare amplifier
- Up to 4 boards connected to a LT 7208EN unit

EN 54-16 CPR: 1438-CPR-0241 CE



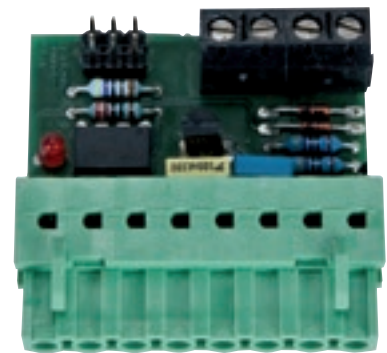
SI 7120 p/n 17170153

MONITORED LOGICAL INPUT BOARD FOR MU 7100EN

SI 7120 is an additional board for the DXT 7000 Voice Alarm system. It can monitor the integrity of 2 speakers lines coming from master unit. In case of line open or shorted, it activates the related command.

- Line open or shorted fault detection
- Red LED signal
- Up to 2 devices connected to each MU 7100EN

EN 54-16 1438-CPR-0241 CE



RO 7102 p/n 17170151

DRY OUTPUT CONTACT BOARD FOR MU 7100EN

RO 7102 is an additional board for the DXT 7000 Voice Alarm system that can be directly connected to a couple of MU 7100EN control outputs. It converts the 2 MU 7100EN open-collector control outputs' into 2 dry closing contacts that can be used as commands or external devices. It also has resistors needed for monitored emergency lines.

- Converts open-collector to dry closing contacts
- Resistors for emergency lines included

EN 54-16 1438-CPR-0241 CE





SV 7982 p/n 17170140

WALL-MOUNT REMOTE CONTROL

SV 7982 is a wall-mount remote control used as local audio control device. It can control a zone group volume and works as program selector. Connection to local or system bus using CAT5 or CAT6 cables.

- Zone group control
- Level control
- Program Selector
- CAT5 and CAT6 compatible



LI 7903 p/n 17170141

LOCAL INPUT DEVICE

LI 7903 is a local input device allowing the connection and routing of a local program source. It features 3 function buttons that can be individually programmed. To be wall mounted by using the accessories provided.

- Local audio source management
- 3 configurable buttons
- Suitable for wall-mount



EL 7001 p/n 63531167

END OF LINE

EL 7001 is a End Of Line terminator that allow accurate monitoring of speakers lines integrity, and it is suitable for DXT 7000 Voice Alarm system.

- Monitors speakers lines integrity

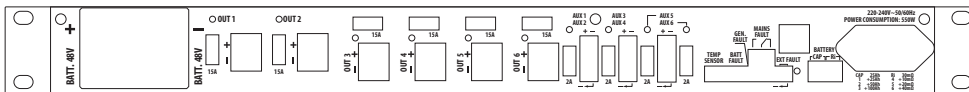


POWER SUPPLY CERTIFIED EN 54-4



PS 6648 is a power supply unit suitable to get continuity power for EN 54-16 systems units like DXT 9000 and DXT 7000, and relevant complementary devices in case of mains power supply interruptions. It includes recharging and monitoring functions for the lead-acid batteries connected to it. It must be equipped with batteries with suitable capacity, dimensioned according to the system power absorption and to the evacuation requirements. According to EN 54-16 standard, it shall be installed into the same rack cabinet where there is the audio system with emergency purposes (or a system part) to which it is connected.

- 48 V batteries nominal voltage
- 6 main outputs to system's units
- 6 auxiliary outputs
- Battery circuit control
- PC software configuration and monitoring



CERTIFICATION

EN 54-4

CPR: 1438-CPR-0538



GENERAL SPECIFICATIONS

Power factor	0.94
Efficiency (during battery charging)	84%
Battery nominal voltage	48 V
Max. current from main outputs	6 x 15 A
Max. current from auxiliary outputs	4 x 2 A
Maximum capacity of connected batteries	200 Ah
Max. charging current	2 ÷ 8 A
Max. resistance of battery circuit	30 ÷ 100 mOhm

GENERAL SPECIFICATIONS

Battery disconnection threshold	40.8 V
Operating voltage	220-240 V ~ 50Hz

PHYSICAL SPECIFICATIONS

Cabinet/Case Material:	Metal
Color:	Black
Rack mounting:	19", 1U
Height:	43 mm / 1.69 inches
Width:	483 mm / 19.02 inches
Depth:	321 mm / 12.64 inches
Weight:	4.9 kg / 10.8 lbs

CABLES



CJ 428E p/n 14380021

FIRE RESISTANT DATA CABLE

Shielded fire resistant cable suitable for the transmission of signals and commands for voice alarm systems, when maximum safety against fire is required. Made of 4 pairs of annealed copper conductors with 0.8 sqmm section. For fixed indoor installations in normal or humid environments. Red external sheath. Sold in coils of 200 m.

- Fire resistant shielded data cable
- Suitable for the transmission of signals and commands
- For Voice Alarm systems applications



CJ 428CAT p/n 12399047

CAT5 FTP FIRE RESISTANT DATA CABLE

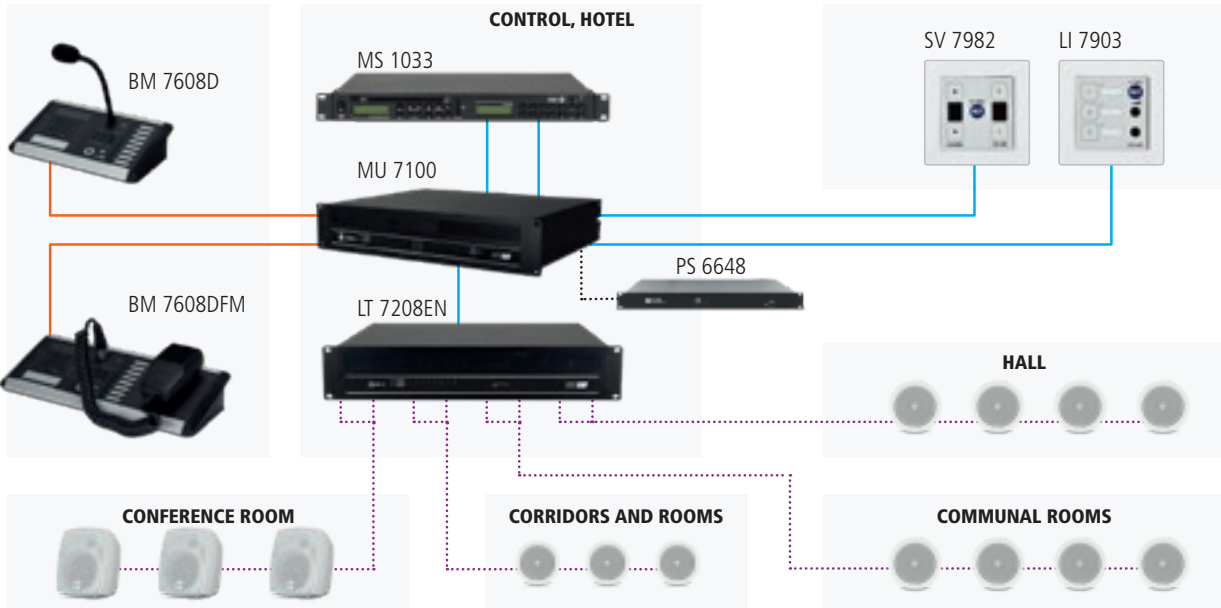
Shielded CAT5 FTP fire resistant cable suitable for the transmission of signals and commands for voice alarm systems, when maximum safety against fire is required. Made of 4 pairs of twisted annealed copper conductors with 0.63 sqmm (AWG22) section. For fixed indoor installations in normal or humid environments. Red external sheath. Sold in coils of 200 m.

- Fire resistant shielded data cable
- Suitable for the transmission of signals and commands
- For Voice Alarm systems applications

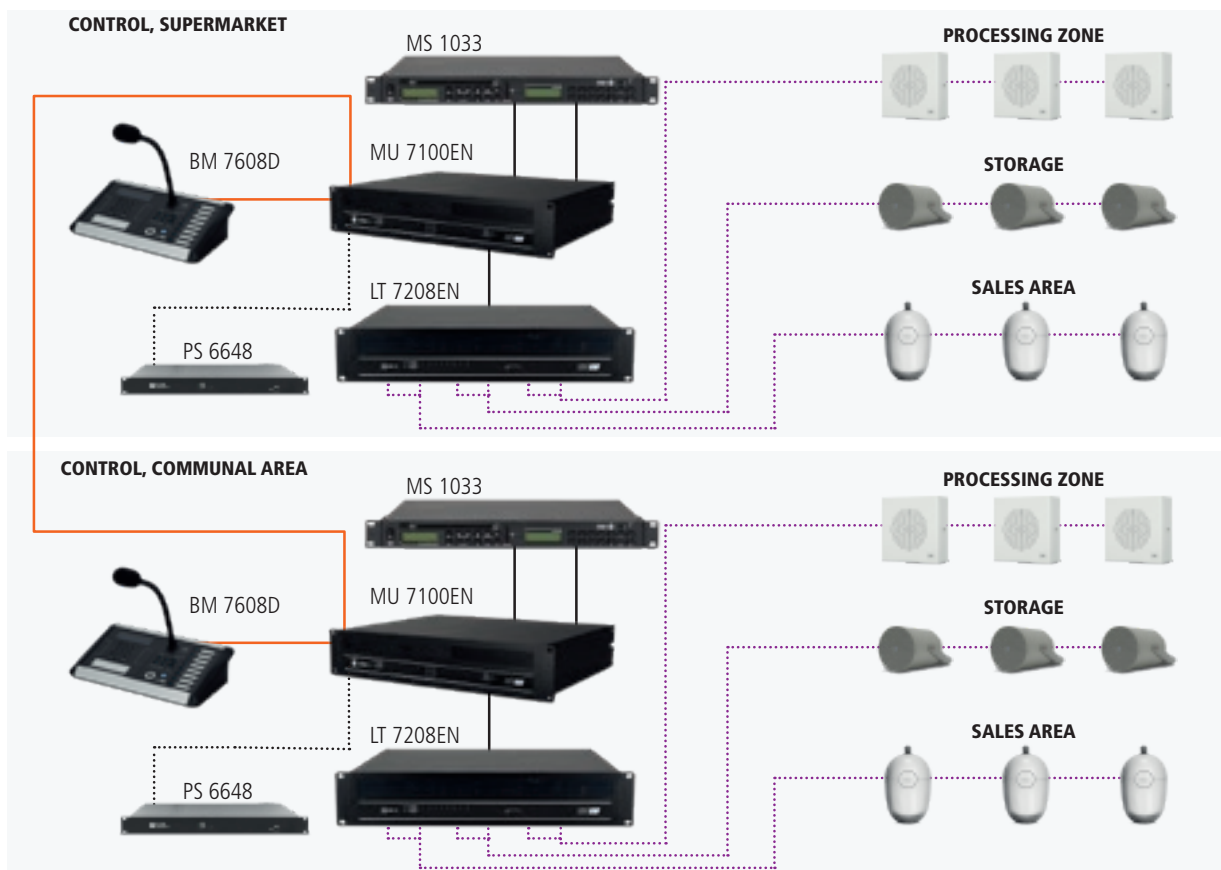


CONFIGURATION EXAMPLES

HOTEL

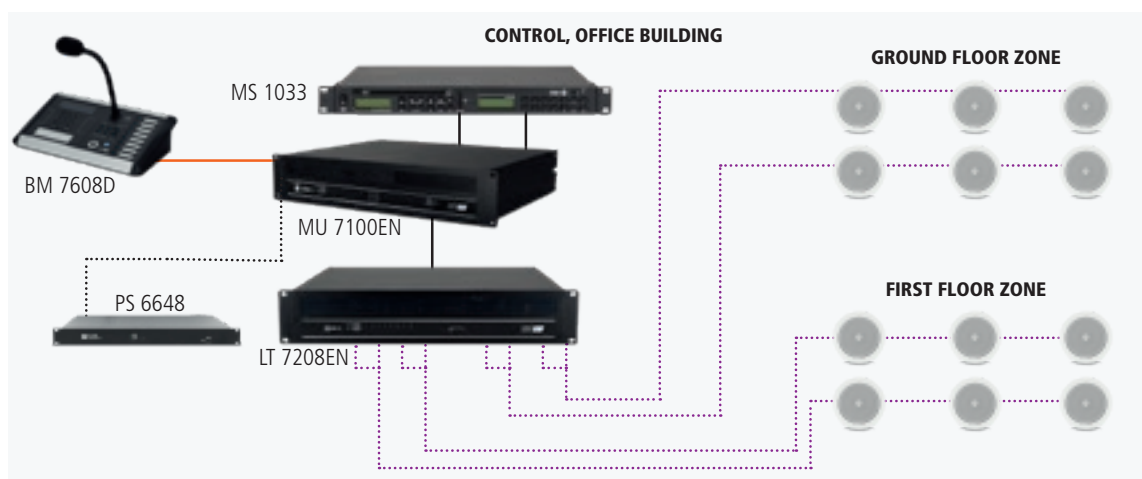
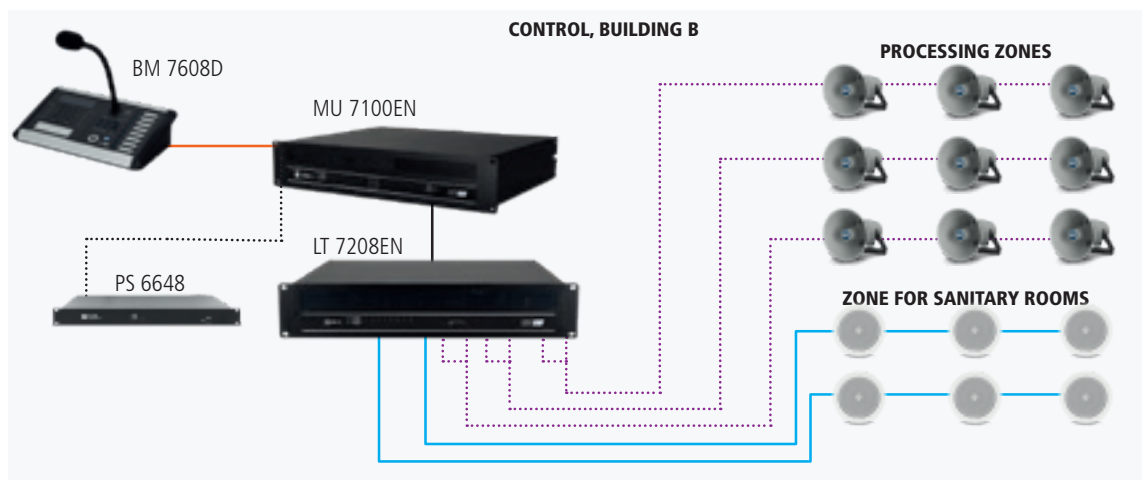
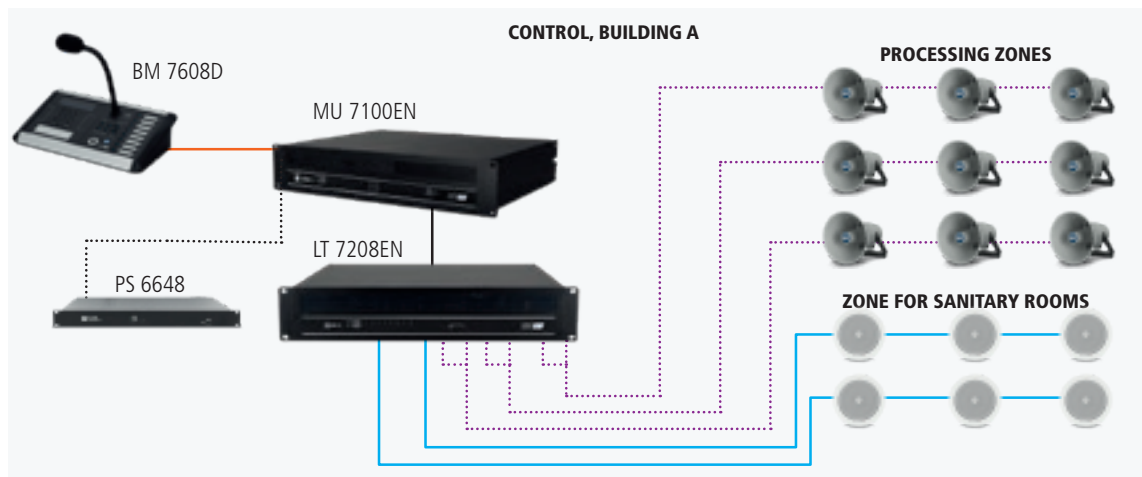


SHOPPING CENTRE





MULTI BUILDING



..... TWO-POLE FIRE RESISTANT CABLE, UNI 9795 - IEC 20-105V1 COMPLIANT

— MULTIMODAL GLASS FIBRE FIRE-RESISTANT

— FTP CAT-5 CABLE FIRE-RESISTANT

— FTP CAT-5 CABLE (OR BETTER)



DXT 3000

DXT 3000 is a wall-mounting intelligent evacuation system dedicated to small and medium size applications, where an EN54-16 system is required. It includes a digital DSP-based master unit equipped with up to 6 RCF Class D+ power amplifiers, able to provide up to 250W on 100V or 70V speaker lines.

A spare power amplifier with automatic replacement of a faulty unit is configurable too. MX 3250 hosts batteries and the necessary EN54-4 circuitry for the DC back-up. Furthermore it offers inputs, controls and pre-recorded messages to get a real plug & play solution.



ADVANCED TECHNOLOGY

Digital DSP-based master unit equipped with 2, 4 or 6 RCF Class D+ technology power amplifiers.



MONITORED PAGING CONSOLE

BM 3804, a low power consumption monitored console, suitable for selective emergency paging and message triggering.

Monitored paging consoles and 6 button extensions allow to complete the installation by adding live announcements. Local single-button paging microphones and background music programs can be implemented as well.

The system can be expanded to fit with middle size applications, centralized or distributed connecting up to eight using a dedicated interlink accessory board.

DXT 3000 system has been designed to be wired by using very convenient fire-rated J-TYPE cables for paging console and interlink connections.

MX 3500/2 MX 3500/4 MX 3500/6

p/n 12100009
p/n 12100010
p/n 12100011

AMPLIFIED MASTER UNIT



MX 3500 is the master unit of the Voice Alarm system DXT 3000, dedicated to small and medium size applications where an EN 54-16 certified system is required. It is equipped with powerful and exceptionally reliable Class D power amplifiers, able to provide up to 500 W of total power. Depending on the model, it is able to serve up to 6 independent zones. Moreover, the spare power amplifier facility is also available. The internal power supply is certified EN 54-4, and the back-up batteries can be host inside the cabinet, making the system a complete and extremely compact solution. Moreover, the on-board DSP platform allows optimizing environmental equalization, maximizing voice intelligibility and background music performance. The system can be completed with emergency microphone consoles BM 3804, BM 3804FM and ME 3801, and the buttons extensions BE 3806, allowing to add live announcements functionality.

- 500 W total power
- Up to 6 zones controlled
- DSP platform on-board
- Certified EN 54-16 and EN 54-4
- Emergency messages on monitored SD card
- Spare power amplifier facility
- Integrated audio source on front panel
- Wall mount or rack mount installation



CERTIFICATION

EN 54-16 | 54-4 CPR: 0068-CPR-007/2015

SYSTEM SPECIFICATIONS	MX 3500	MX 3250
Number of zones managed:	2, 4 or 6	
Built-in power amplifier:	Yes	
Spare amplifier automatic change-over:	Yes	
Max number of consoles:	4	
Number of console buses:	1	
Number of simultaneous emergency audio channels:	1	
Max number of units connectable:	8	
Communication bus:	Serial	
Connections cables:	J Type (fire-rated)	
Integrated pre-recorded emergency messages:	Yes	

AMPLIFIER SPECIFICATIONS

Amplifier Class:	D+
Number of channels:	2
Power output (@ 100 V):	250 W RMS 500W RMS
A/B speakers line:	Yes

AMPLIFIER SPECIFICATIONS

	MX 3500	MX 3250
Frequency Response (-3dB):	80 Hz ÷ 16 kHz	
Signal/noise rate ("a" weighted):	>80 dB	>80 dB
Distortion (THD+N) @ 1 kHz nominal power	<0.3 %	

INPUT SECTION

Total number of inputs:	3
Balanced:	3
Mono:	3
Line inputs:	2
Line connectors:	Euroblock, JACK
VOX:	Yes
Paging inputs:	1
Paging connectors:	Euroblock
Paging command:	Serial
Paging emergency:	Yes
General Purpose Inputs (GPI):	6
Monitored GPI:	6
Photo-coupled GPI:	6

MX 3250/2

MX 3250/4

MX 3250/6

p/n 17170177

p/n 17170183

p/n 17170184

AMPLIFIED MASTER UNIT



MX 3250 is the master unit of the Voice Alarm system DXT 3000, dedicated to small and medium size applications where an EN 54-16 certified system is required. It is equipped with powerful and exceptionally reliable Class D power amplifiers, able to provide up to 250 W of total power. Depending on the model, it is able to serve up to 6 independent zones. Moreover, the spare power amplifier facility is also available. The internal power supply is certified EN 54-4, and the back-up batteries can be host inside the cabinet, making the system a complete and extremely compact solution. Moreover, the on-board DSP platform allows optimizing environmental equalization, maximizing voice intelligibility and background music performance. The system can be completed with emergency microphone consoles BM 3804, BM 3804FM and ME 3801, and the buttons extensions BE 3806, allowing to add live announcements functionality.

- 250 W total power
- Up to 6 zones controlled
- DSP platform on-board
- Certified EN 54-16 and EN 54-4
- Emergency messages on monitored SD card
- Spare power amplifier facility
- Integrated audio source on front panel
- Wall mount or rack mount installation

MX 3500 and MX 3250 are equipped with an integrated audio source, directly accessible from the unit front panel and connected to the BGM input. The source, which supports MP3 files only, includes an SD card reader, a USB pen drive reader and an auxiliary input on 3.5 mm jack. In addition to the inputs, the front panel offers also the basic controls for track selection and the pause command. Moreover, a monitor output is available on 3.5 mm jack, and allows checking the audio content before send it to the speakers lines. After control, audio shall be activated manually using the AUDIO ON button (also indicated by LED).

OUTPUT SECTION	MX 3500	MX 3250	AUDIO SOURCES	MX 3500	MX 3250
Signal output number:		1	USB pen drives, SD card		Yes
Signal output connectors:		JACK	POWER REQUIREMENT		
Output lines connectors:		2	Operating voltage:	220-240/115 V~	50/60Hz
Power output connectors:		Euroblock	Voltage selection:	Internal	
General Purpose Outputs (GPO):		6	DC power:	Yes	
PROCESSING			DC power value:	48 V	24 V
DSP:		Yes	Power consumption:	700 W	400 W
Tone controls:		Yes	PHYSICAL SPECIFICATIONS		
High-pass filter:		20 ÷ 500 Hz	IP protection grade:	IP 33	IP 33
CONTROLS			Cabinet/Case Material:	Metal	Metal
Configuration:		DIP switch, Front panel	Rack mounting:	19", 14U	19", 14U
Chime tone:		Yes	Height mm/inches:	620 / 24.41	533 / 20.98
PROTECTIONS			Width mm/inches:	430 / 16.93	430 / 16.93
Cooling:		Convection	Depth mm/inches:	230 / 9.06	190 / 7.48
Short circuit, Thermal, DC, Fuses, VHF (Very High Frequencies)			Weight kg/lbs (2 zones):	19.4 / 42.77	15 / 33.07
			Weight kg/lbs (4 zones):	20.7 / 45.64	15.96 / 35.19
			Weight kg/lbs (6 zones):	22 / 48.5	16.92 / 37.3

BM 3804
BM 3804FM
BE 3806
ME 3801

p/n 14380028
p/n 14380037
p/n 14380036
p/n 14322030



PAGING MICROPHONES

BM 3804 is a desk-top emergency microphone console exclusively dedicated to DXT 3000 Voice Alarm system, and can be used both for live announcements and pre-recorded messages activation. It features complete self-diagnostic functionalities and system status reporting in compliance with EN 54-16:2008 standard. Up to four consoles can be daisy-chained on the line, the first of those has emergency functions and it is powered directly by the master unit, while the others need local 24 V DC adapters.

BM 3804FM is a firemen, wall-mount emergency microphone console exclusively dedicated to DXT 3000 Voice Alarm system, and can be used both for live announcements and pre-recorded messages activation. It features complete self-diagnostic functionalities and system status reporting in compliance with EN 54-16:2008 standard. Up to four consoles can be daisy-chained on the line, the first of those has emergency functions and it is powered directly by the master unit, while the others need local 24 V DC adapters.

BE 3806 is a six buttons additional keyboard that works with BM 3804 and BM 3804FM. It allows making selective calls to each system’s zone. Up to eight units can be connected to the same microphone console. Each button has a fixed address to a specific system’s zone.

ME 3801 is a wall-mount emergency microphone exclusively dedicated to DXT 3000 Voice Alarm system, and can be used for live announcements during emergency situations. It features complete self-diagnostic functionalities and system status reporting in compliance with EN 54-16:2008 standard. Up to four microphones can be daisy-chained on the line, the first of those has emergency functions and it is powered directly by the master unit, while the others need local 24 V DC adapters.

- Live emergency announcements
- Pre-recorded messages activation
- Complete self-diagnostic
- Powered by master unit
- Hi-quality cardioid microphone
- Robust metal case
- Handheld microphone with PTT button (BM 3804 FM, ME 3801)
- Protected into a robust metal box (BM 3804 FM, ME 3801)

CERTIFICATION

EN 54-16

CPR: 0068-CPR-007/2015



MICROPHONE SPECIFICATIONS	BM 3804	BM 3804 FM	BE 3806	ME 3801
Type:	Electret	Dynamic	-	Dynamic
Directivity:	Cardioid	Omnidirectional	-	Omnidirectional
Sensitivity:	-65 dB	-70 dB	-	-70 dB
Frequency Response (-3dB):	50 Hz ÷ 18 kHz	300 Hz ÷ 6000 kHz	-	300 Hz ÷ 6000 kHz
Output impedance:	470 ohm	500 ohm	-	500 ohm

CONSOLE SPECIFICATIONS

Console Type:	Emergency	Emergency	Emergency	Emergency
General call, Preamplified, LED indicators:	Yes	Yes	Yes	Yes
Selective call:	Yes	Yes	Yes	-

POWER REQUIREMENT

Operating voltage:	24V ~ Hz	24V ~ Hz	-	24V ~ Hz
--------------------	----------	----------	---	----------



ME 3801



BM 3804 FM



BM 3804



BE 3806

CONNECTIONS

	BM 3804	BM 3804 FM	BE 3806	ME 3801
Connectors:	RJ45	RJ45	-	RJ45
Cable:	J Type (fire-rated)	J Type (fire-rated)	-	J Type (fire-rated)
Daisy-chain:	Yes	Yes	Yes	Yes
Max number in daisy-chain:	4	4	8	4
Interlock:	Yes	Yes	-	Yes

FUNCTIONALITIES

Priority:	Yes	Yes	-	-
Chime tone generator:	Yes	Yes	-	Yes

ACCESSORIES

Cable included length 5 m:	Yes	Yes	-	Yes
----------------------------	-----	-----	---	-----

PHYSICAL SPECIFICATIONS

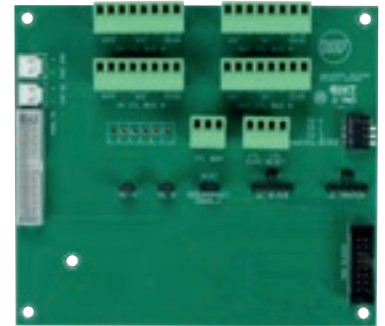
	BM 3804	BM 3804 FM	BE 3806	ME 3801
Cabinet/Case Material:	Metal	Metal	Metal	Metal
Height:	44 mm / 1.73 inches	360 mm / 14.17 inches	39 mm / 1.54 inches	210 mm / 8.27 inches
Width:	203 mm / 7.99 inches	360 mm / 14.17 inches	78 mm / 3.07 inches	115 mm / 4.53 inches
Depth:	128 mm / 5.04 inches	129 mm / 5.08 inches	203 mm / 7.99 inches	36 mm / 1.42 inches
Weight:	1.2 kg / 2.65 lbs	6.9 kg / 15.21 lbs	0.7 kg / 1.54 lbs	1.14 kg / 2.51 lbs

ACCESSORIES

IE 3008 p/n 12399015

DXT 3000 INTERLINK BOARD

IE 3008 is an additional board for DXT 3000 Voice Alarm system that extends its capability and functionalities allowing the connection of a maximum of eight units, in a master/slave configuration. It shall be installed inside the cabinet of each unit, that provides the necessary power supply. System's units communicate through a fully redundant bus, transporting commands and two audio channels. Up to four emergency consoles can be connected to the master unit, for the activation of both pre-recorded and live messages on each system's zone, using dedicated BE 3806 additional keyboards. At system level, BGM can be injected in the master unit in the dedicated input, with global mute functionality. At local level, BGM can be enabled on each unit using the specific hardware setting.

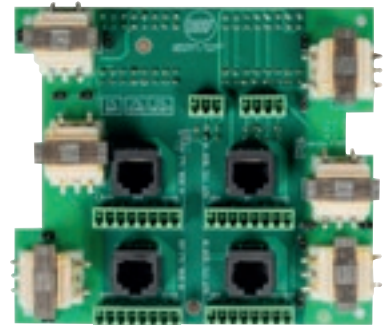


EN 54-16 **CPR: 0068-CPR-007/2015** **CE**

IT 3010 p/n 12399049

DXT 3000 TRANSFORMERS BOARD

IT 3010 is an additional board for DXT 3000 Voice Alarm system to be used only in combination with IE 3008 interlink board. Thanks to its six line transformers, it is helpful in all those installations where audio signal may be affected by high noises along system's units connections. Moreover, it offers the possibility to connect DXT 3000 units using both removable screw terminals and RJ 45 plugs, improving installation efficiency and flexibility.



MG 3006 p/n 13360344

MONITORED GPI BOARD

MG 3006 is an additional board for DXT 3000 master units. It allows monitoring system's General Purpose Inputs (GPI), detecting and reporting open line faults or short circuits along the path between DXT 3000 and other emergency devices, such as alarm buttons. It shall be installed inside the master unit, and powered directly by the system.



BATT 18AH 2X p/n 13360317

BATTERIES

Pair of sealed lead acid batteries (12V - 18Ah each.)



EOL 3-9 p/n 17170176

END OF LINE

EOL 3-9 is a End Of Line terminator that allow accurate monitoring of speakers lines integrity, and it is suitable for DXT 9000 and DXT 3000 Voice Alarm systems.

- 20 Hz resonator
- 200 Ohm impedance
- Ceramic terminal with thermal fuse
- Plastic case UL94 V0
- To be used with RCF cables CV 215, CV 225



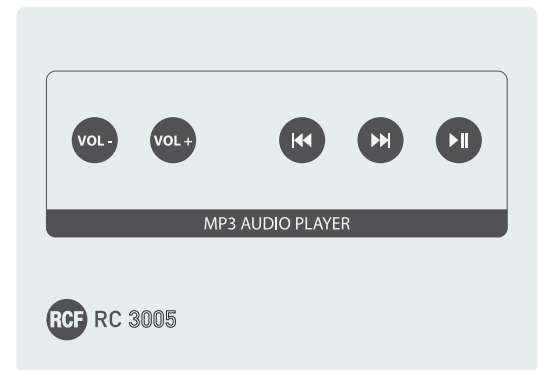
EN 54-16 **CPR: 0068-CPR-007/2015** **CE**

RC 3005 p/n 12399044

WALL MOUNT REMOTE CONTROL

RC 3005 is a wall mount remote control for DXT 3000 Voice Alarm system that allows to manage the music source integrated in the master units front panel. It is designed with a universal wall mount mechanics.

- Music source manager
- Universal wall mounting mechanics
- Removable screws connectors
- Power supply not required



DXT 3000 PLANNER

VOICE ALARM SYSTEM DESIGN SOFTWARE

The software allows configuring small and medium VOICE-ALARM systems in accordance to the regulations (prescriptive method), using EN 54-24 loudspeakers and EN 54-16 management electronics of the RCF DXT 3000 Series (250W and 500W models; 2, 4 and 6 zones, in stand-alone or networked configuration) and related accessories.

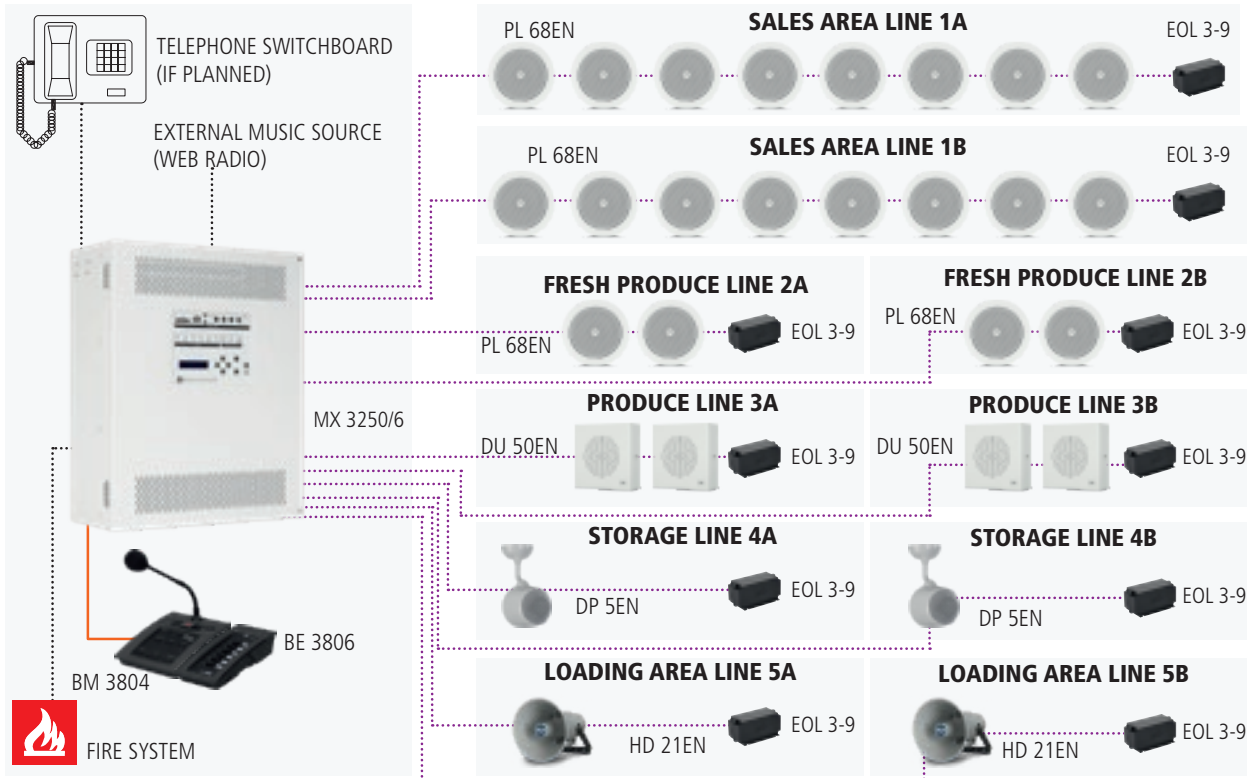
Free software download from web site.



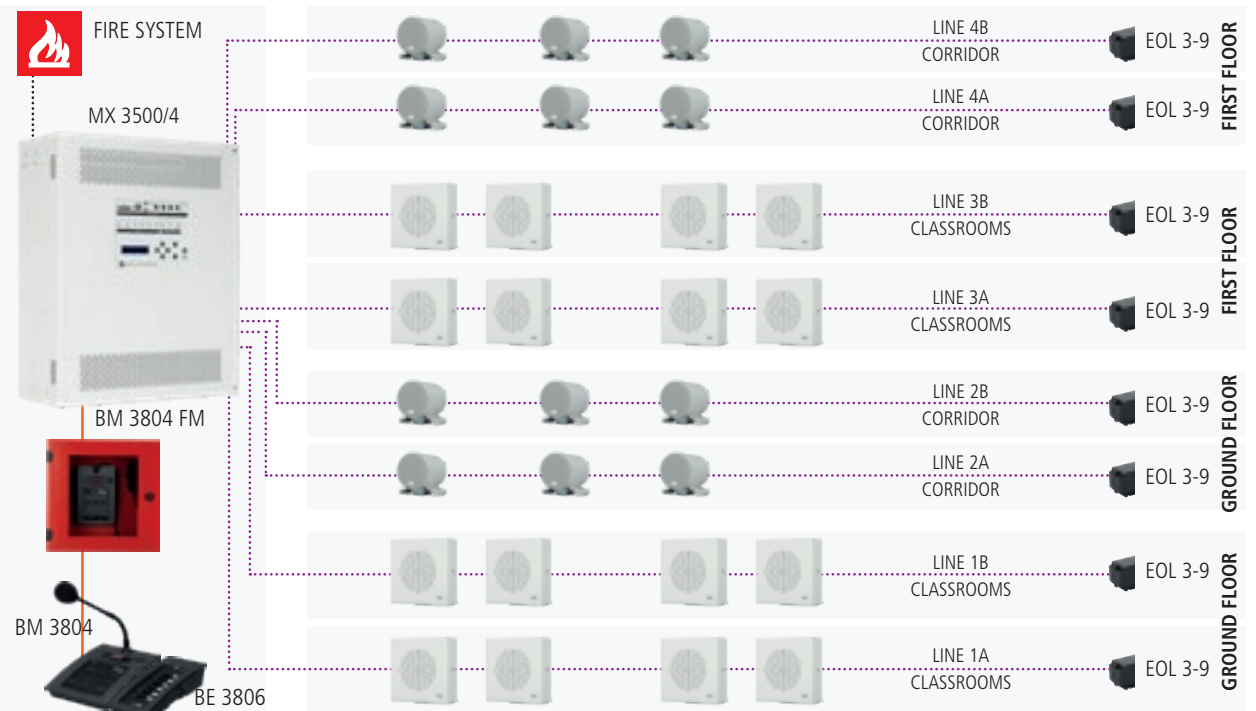
CONFIGURATION EXAMPLES



SUPERMARKET

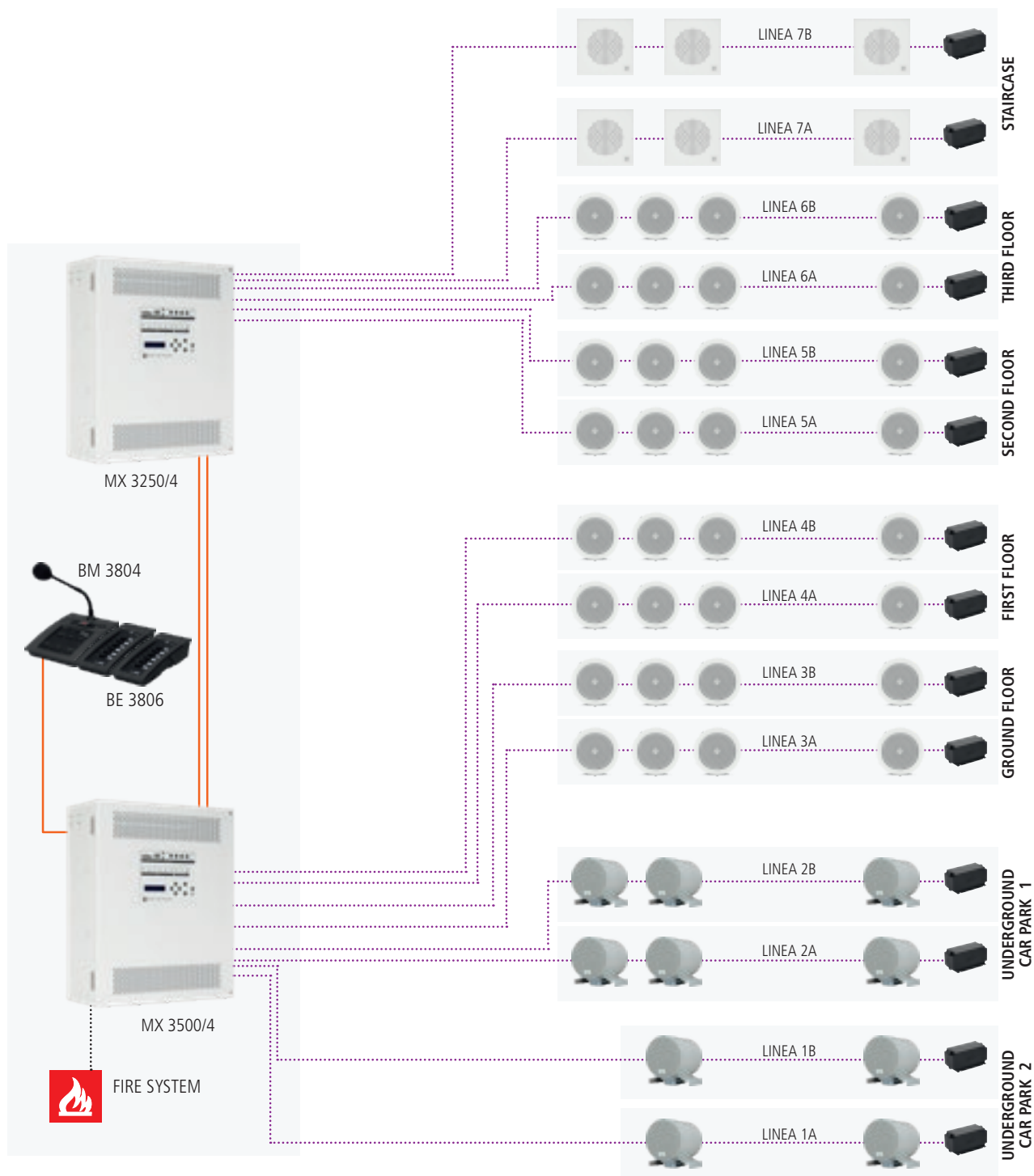


TWO-FLOORED SCHOOL BUILDING





OFFICE BUILDING



..... TWO-POLE FIRE RESISTANT CABLE, UNI 9795 - IEC 20-105V1 COMPLIANT

..... MULTIMODAL GLASS FIBRE FIRE-RESISTANT

..... FTP CAT-5 CABLE FIRE-RESISTANT

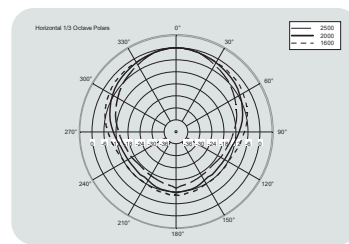
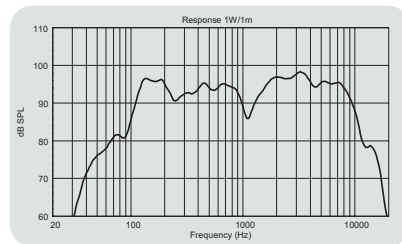
..... FTP CAT-5 CABLE (OR BETTER)



LOUDSPEAKERS

Emergency Voice Alarm Communication (EVAC) systems support the safety of public buildings. Their main function is to provide safety announcements in emergency situations. These can be in the form of pre-recorded or “live” announcements. RCF has been developing and manufacturing professional audio systems since 1949. This experience is incorporated into all its products, including those with EN-54 certification. All RCF loudspeaker systems offer planners and installation professionals the best solutions for optimum speech clarity. In addition, RCF loudspeakers are suited to playback of background music and public address messages, a role often required for products used for publicly accessible spaces requiring EVAC.

PROPERTIES



The high efficiency of the system, in particular of the amplifiers and speakers, guarantees savings in terms of acquisition as well as operation and maintenance. This is especially true for EN-54 certified systems. Here, too, RCF products offer best-in-class performance.

Consider that a loudspeaker with sensitivity of 3 dB (1W / 1m) higher than a matched loudspeaker requires half the power to provide the same sound level. In scenarios incorporating dozens, hundreds or even thousands of speakers, it becomes quickly apparent that excellent efficiency means substantial savings in terms of amplifier power, electric power, space requirements and maintenance.

FIRE AND MECHANICAL SAFETY REQUIREMENTS FOR LOUDSPEAKERS



The EN 54-24 standard requires that, in the event of fire, speakers connected to fire-resistant cabling do not affect on the function of other speakers connected to the same cable. As a result, RCF speakers offered as “EN” versions feature ceramic termination blocks with strain relief and thermal fuses.

The standard divides speakers into two mechanical safety categories:

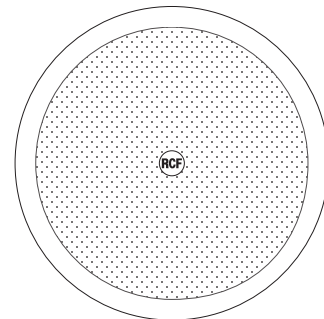
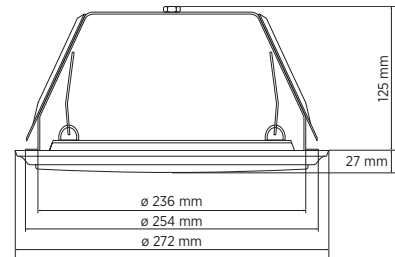
- **Type A:** All indoor components are compliant with IP21C safety (touching with finger, vertically dripping water, touching dangerous parts with tools).
- **Type B:** Speakers suitable for indoor and outdoor installation, offering safety features compliant with, at minimum, IP33C.

TWO-WAY CEILING SPEAKER WITH STEEL FIRE DOME

PL 82EN is a two-way ceiling speaker featuring a flameproof steel back can, designed for recess installation into ceilings or panels. It is especially suitable for broadcasting alarm messages thanks to the highly intelligible sound reproduction and its resistance to high temperatures reached during fires. The terminal connection blocks, for input and output flameproof cables, are made of ceramic material. A thermal fuse protects the integrity of the line in case of heat affecting the speaker. Ground screw available (if needed). Cables inside speaker made using flameproof leads.



- 8" coaxial woofer with 0.75" dome tweeter.
- Power selectable (100 V): 20 W – 10 W – 5 W.
- 94 dB sensitivity.
- Colour white RAL 9016.
- Steel frame, grille and back can.
- In/out ceramic terminal block.
- Thermal fuse protection.



CERTIFICATION

EN 54-24 **CPR: 0068-CPR-051/2017** **CE**

ACOUSTICAL SPECIFICATIONS

Frequency Response (-10dB):	130 Hz ÷ 20000 Hz
Max SPL @ 1m:	106 dB
Max SPL @ 4m:	94 dB
System Sensitivity:	94 dB
System Sensitivity 1W @ 4m:	82 dB
Coverage angle:	160°

POWER SECTION

Power Handling:	20 W RMS
Peak Power Handling:	80 W PEAK
Recommended Amplifier:	40 W
Protections:	Thermal fuse

TRANSDUCERS

Dome Tweeter:	0.75"
Woofer:	Coaxial 8"

INPUT/OUTPUT SECTION

Input connectors:	Ceramic screw terminals
Output connectors:	Ceramic screw terminals
Constant Voltage Transformer:	100 V
Power selection 1 (100 V):	20 W - 500 ohm
Power selection 2 (100 V):	10 W - 1000 ohm
Power selection 3 (100 V):	5 W - 2000 ohm

PHYSICAL SPECIFICATIONS

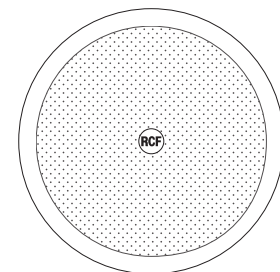
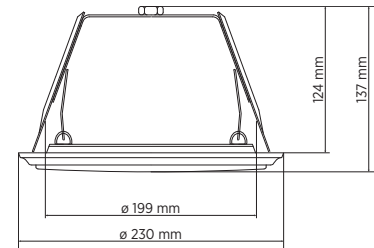
Cabinet/Case Material:	Metal
Hardware:	Steel back cover
Grille:	Steel
Color:	White - RAL 9016
Depth:	152 mm / 5.98 inches
Recessed Depth:	125 mm / 4.92 inches
Diameter:	272 mm / 10.71 inches
Cut out diameter:	240 mm / 9.45 inches
Weight:	3.42 kg / 7.54 lbs

CEILING SPEAKER WITH STEEL FIRE DOME

PL 70EN is a ceiling speaker featuring a flameproof steel back can, designed for recess installation into ceilings or panels. It is especially suitable for broadcasting alarm messages thanks to the highly intelligible sound reproduction and its resistance to high temperatures reached during fires. The terminal connection blocks, for input and output flameproof cables, are made of ceramic material. A thermal fuse protects the integrity of the line in case of heat affecting the speaker. Ground screw available (if needed). Cables inside speaker made using flameproof leads.



- 6" fullrange transducer.
- Power selectable (100 V): 6 W – 3 W – 1.5 W – 0.75 W.
- 93 dB sensitivity.
- Colour white RAL 9003.
- Steel frame, grille and back can.
- In/out ceramic terminal block.
- Thermal fuse protection.



CERTIFICATION

EN 54-24

CPR: 1488-CPR-0487/W



ACOUSTICAL SPECIFICATIONS

Frequency Response (-10dB):	230 Hz ÷ 20000 Hz
Max SPL @ 1m:	99 dB
Max SPL @ 4m:	87 dB
System Sensitivity:	93 dB
System Sensitivity 1W @ 4m:	81 dB
Coverage angle:	131°

POWER SECTION

Nominal Impedance:	8 ohm
Power Handling:	6 W RMS
Peak Power Handling:	24 W PEAK
Recommended Amplifier:	12 W
Protections:	Thermal fuse

TRANSDUCERS

Fullrange:	6.0"
------------	------

INPUT/OUTPUT SECTION

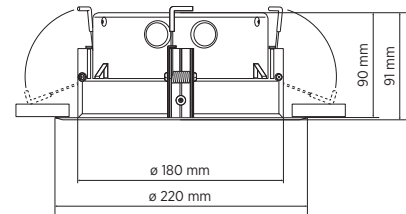
Input connectors:	Ceramic screw terminals
Output connectors:	Ceramic screw terminals
Constant Voltage Transformer:	100 V
Power selection 1 (100 V):	6 W - 1667 ohm
Power selection 2 (100 V):	3 W - 3333 ohm
Power selection 3 (100 V):	1.5 W - 6667 ohm
Power selection 4 (100 V):	0.75 W - 13333 ohm

PHYSICAL SPECIFICATIONS

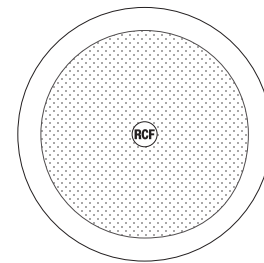
Cabinet/Case Material:	Metal
Hardware:	Steel back cover
Grille:	Steel
Color:	White - RAL 9003
Height:	137 mm / 5.39 inches
Recessed Depth:	124 mm / 4.88 inches
Diameter:	230 mm / 9.06 inches
Cut out diameter:	199 mm / 7.83 inches
Weight:	2.03 kg / 4.48 lbs

CEILING SPEAKER WITH STEEL FIRE DOME

PL 68EN is a ceiling speaker featuring a flameproof steel back can, designed for recess installation into ceilings or panels. It is especially suitable for broadcasting alarm messages thanks to the highly intelligible sound reproduction and its resistance to high temperatures reached during fires. The terminal connection blocks, for input and output flameproof cables, are made of ceramic material. A thermal fuse protects the integrity of the line in case of heat affecting the speaker. Ground screw available (if needed). Cables inside speaker made using flameproof leads.



- 6" fullrange transducer.
- Power selectable (100 V): 6 W – 3 W – 1.5 W.
- 94 dB sensitivity.
- Colour white RAL 9003.
- Steel frame, grille and back can.
- In/out ceramic terminal block.
- Thermal fuse protection.



CERTIFICATION

EN 54-24

CPR: 1488-CPR-0486/W



ACOUSTICAL SPECIFICATIONS

Frequency Response (-10dB):	230 Hz ÷ 20000 Hz
Max SPL @ 1m:	102 dB
Max SPL @ 4m:	90 dB
System Sensitivity:	94 dB
System Sensitivity 1W @ 4m:	82 dB
Coverage angle:	126°

POWER SECTION

Power Handling:	6 W RMS
Peak Power Handling:	24 W PEAK
Recommended Amplifier:	12 W
Protections:	Thermal fuse

TRANSDUCERS

Fullrange:	6.0"
------------	------

INPUT/OUTPUT SECTION

Input connectors:	Ceramic screw terminals
Output connectors:	Ceramic screw terminals
Constant Voltage Transformer:	100 V
Power selection 1 (100 V):	6 W - 1667 ohm
Power selection 2 (100 V):	3 W - 3333 ohm
Power selection 3 (100 V):	1.5 W - 6667 ohm

PHYSICAL SPECIFICATIONS

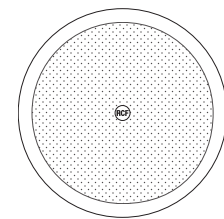
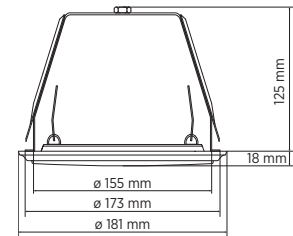
Cabinet/Case Material:	Metal
Hardware:	Steel back cover
Grille:	Steel
Color:	White - RAL 9003
Height:	91 mm / 3.58 inches
Recessed Depth:	90 mm / 3.54 inches
Diameter:	220 mm / 8.66 inches
Cut out diameter:	200 mm / 7.87 inches
Weight:	1.12 kg / 2.47 lbs

CEILING SPEAKER WITH STEEL FIRE DOME

PL 50EN is a ceiling speaker featuring a flameproof steel back can, designed for recess installation into ceilings or panels. It is especially suitable for broadcasting alarm messages thanks to the highly intelligible sound reproduction and its resistance to high temperatures reached during fires. The terminal connection blocks, for input and output flameproof cables, are made of ceramic material. A thermal fuse protects the integrity of the line in case of heat affecting the speaker. Ground screw available (if needed). Cables inside speaker made using flameproof leads.



- 5" fullrange transducer.
- Power selectable (100 V): 6 W – 3 W – 1.5 W – 0.75 W.
- 92 dB sensitivity.
- Colour white RAL 9016.
- Steel frame, grille and back can.
- In/out ceramic terminal block.
- Thermal fuse protection.



CERTIFICATION

EN 54-24 **CPR: 0068-CPR-051/2017** **CE**

ACOUSTICAL SPECIFICATIONS

Frequency Response (-10dB):	130 Hz ÷ 15000 Hz
Max SPL @ 1m:	100 dB
Max SPL @ 4m:	88 dB
System Sensitivity:	92 dB
System Sensitivity 1W @ 4m:	80 dB
Coverage angle:	170°

POWER SECTION

Power Handling:	6 W RMS
Peak Power Handling:	24 W PEAK
Recommended Amplifier:	12 W
Protections:	Thermal fuse

TRANSDUCERS

Fullrange:	5.0"
------------	------

INPUT/OUTPUT SECTION

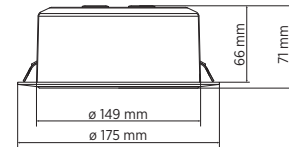
Input connectors:	Ceramic screw terminals
Output connectors:	Ceramic screw terminals
Constant Voltage Transformer:	100 V
Power selection 1 (100 V):	6 W - 1667 ohm
Power selection 2 (100 V):	3 W - 3333 ohm
Power selection 3 (100 V):	1.5 W - 6667 ohm
Power selection 4 (100 V):	0.75 W - 13333 ohm

PHYSICAL SPECIFICATIONS

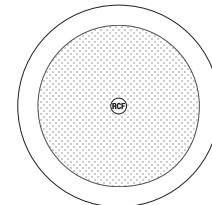
Cabinet/Case Material:	Metal
Hardware:	Steel back cover
Grille:	Steel
Color:	White - RAL 9016
Depth:	143 mm / 5.63 inches
Recessed Depth:	125 mm / 4.92 inches
Diameter:	181 mm / 7.13 inches
Cut out diameter:	155 mm / 6.1 inches
Weight:	1.35 kg / 2.98 lbs

CEILING SPEAKER WITH PLASTIC FIRE DOME

PLP 50EN is a ceiling speaker featuring a flameproof plastic back can, designed for recess installation into ceilings or panels. It is especially suitable for broadcasting alarm messages thanks to the highly intelligible sound reproduction and its resistance to high temperatures reached during fires. The terminal connection blocks, for input and output flameproof cables, are made of ceramic material. A thermal fuse protects the integrity of the line in case of heat affecting the speaker. Ground screw available (if needed). Cables inside speaker made using flameproof leads.



- 5" fullrange transducer.
- Power selectable (100 V): 6 W – 3 W – 1.5 W.
- 93 dB sensitivity.
- Colour white RAL 9016.
- Plastic frame and back can, steel grille.
- In/out ceramic terminal block.
- Thermal fuse protection.



CERTIFICATION

EN 54-24

CPR: 0068-CPR-051/2017



ACOUSTICAL SPECIFICATIONS

Frequency Response (-10dB):	130 Hz ÷ 15000 Hz
Max SPL @ 1m:	101 dB
Max SPL @ 4m:	89 dB
System Sensitivity:	93 dB
System Sensitivity 1W @ 4m:	81 dB
Coverage angle:	165°

POWER SECTION

Power Handling:	6 W RMS
Peak Power Handling:	24 W PEAK
Recommended Amplifier:	12 W
Protections:	Thermal fuse

TRANSDUCERS

Fullrange:	5.0"
------------	------

INPUT/OUTPUT SECTION

Input connectors:	Ceramic screw terminals
Output connectors:	Ceramic screw terminals
Constant Voltage Transformer:	100 V
Power selection 1 (100 V):	6 W - 1667 ohm
Power selection 2 (100 V):	3 W - 3333 ohm
Power selection 3 (100 V):	1.5 W - 6667 ohm

PHYSICAL SPECIFICATIONS

Cabinet/Case Material:	Plastic
Hardware:	Plastic back cover
Grille:	Steel
Color:	White - RAL 9016
Depth:	71 mm / 2.8 inches
Recessed Depth:	66 mm / 2.6 inches
Diameter:	175 mm / 6.89 inches
Cut out diameter:	149 mm / 5.87 inches
Weight:	0.66 kg / 1.46 lbs

UNIDIRECTIONAL SOUND PROJECTOR

DP 5EN is a weatherproof sound projector suitable for all those installations where high intelligibility for alarm messages broadcasting and great sound reproduction quality are required. Thanks to its IP65 protection grade, it can be installed both indoor and outdoor. Moreover, a modern and endearing design makes it the perfect product for environments where projectors are intended also as architectural elements and contribute to improve global aesthetics.

- 5" fullrange transducer.
- Power selectable (100 V): 20 W – 10 W – 5 W – 2.5 W.
- 88 dB sensitivity.
- Colour white RAL 9016.
- Flameproof ABS body, steel grille.
- In/out ceramic terminal block.
- Thermal fuse protection.
- Protection grade IP65.

CERTIFICATION

EN 54-24

CPR: 0068-CPR-058/2014



ACOUSTICAL SPECIFICATIONS

Frequency Response (-10dB):	80 Hz ÷ 20000 Hz
Max SPL @ 1m:	101 dB
Max SPL @ 4m:	89 dB
System Sensitivity:	88 dB
System Sensitivity 1W @ 4m:	76 dB
Coverage angle:	210°

POWER SECTION

Power Handling:	20 W RMS
Peak Power Handling:	80 W PEAK
Recommended Amplifier:	40 W
Protections:	Thermal fuse

TRANSDUCERS

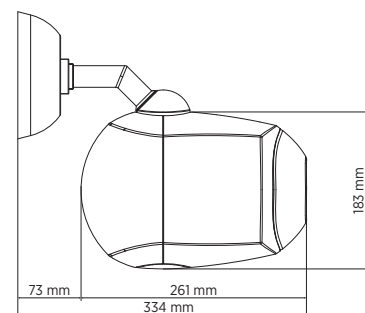
Fullrange:	5.0"
------------	------

INPUT/OUTPUT SECTION

Input connectors:	Ceramic screw terminals
Output connectors:	Ceramic screw terminals
Constant Voltage Transformer:	100 V
Power selection 1 (100 V):	20 W - 500 ohm
Power selection 2 (100 V):	10 W - 1000 ohm
Power selection 3 (100 V):	5 W - 2000 ohm
Power selection 4 (100 V):	2.5 W - 4000 ohm

PHYSICAL SPECIFICATIONS

IP protection grade:	IP 65
Cabinet/Case Material:	ABS
Hardware:	Wall mount metal plate
Grille:	Steel
Color:	White - RAL 9016
Height:	183 mm / 7.2 inches
Width:	176 mm / 6.93 inches
Depth:	261 mm / 10.28 inches
Weight:	2.61 kg / 5.75 lbs

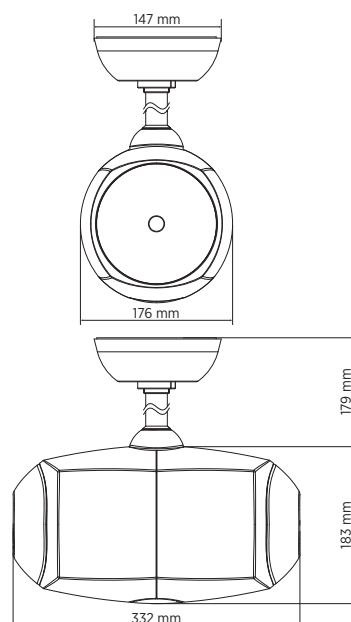


BIDIRECTIONAL SOUND PROJECTOR

BD 5EN is a weatherproof bidirectional sound projector suitable for all those installations where high intelligibility for alarm messages broadcasting and great sound reproduction quality are required. Thanks to its IP65 protection grade, it can be installed both indoor and outdoor. Moreover, a modern and endearing design makes it the perfect product for environments where projectors are intended also as architectural elements and contribute to improve global aesthetics.



- 2 x 5" fullrange transducers.
- Power selectable (100 V): 20 W – 10 W – 5 W – 2.5 W.
- 86 dB sensitivity.
- Colour white RAL 9016.
- Flameproof ABS body, steel grille.
- In/out ceramic terminal block.
- Thermal fuse protection.
- Protection grade IP65.



CERTIFICATION

EN 54-24

CPR: 0068-CPR-058/2014



ACOUSTICAL SPECIFICATIONS

Frequency Response (-10dB):	150 Hz ÷ 18000 Hz
Max SPL @ 1m:	99 dB
Max SPL @ 4m:	87 dB
System Sensitivity:	86 dB
System Sensitivity 1W @ 4m:	74 dB
Coverage angle:	210°

POWER SECTION

Power Handling:	20 W RMS
Peak Power Handling:	80 W PEAK
Recommended Amplifier:	40 W
Protections:	Thermal fuse

TRANSDUCERS

Fullrange:	2 x 5.0"
------------	----------

INPUT/OUTPUT SECTION

Input connectors:	Ceramic screw terminals
Output connectors:	Ceramic screw terminals
Constant Voltage Transformer:	100 V
Power selection 1 (100 V):	20 W - 500 ohm
Power selection 2 (100 V):	10 W - 1000 ohm
Power selection 3 (100 V):	5 W - 2000 ohm
Power selection 4 (100 V):	2.5 W - 4000 ohm

PHYSICAL SPECIFICATIONS

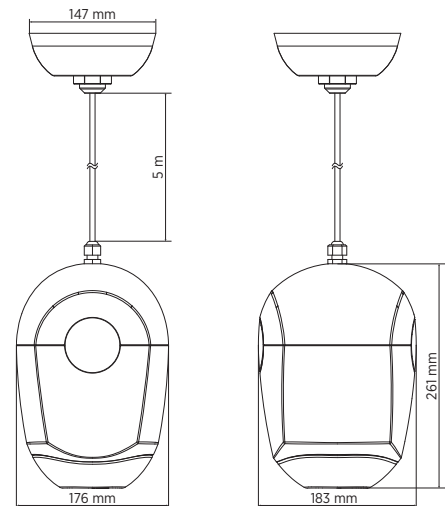
IP protection grade:	IP 65
Cabinet/Case Material:	ABS
Hardware:	Wall mount metal plate
Grille:	Steel
Color:	White - RAL 9016
Height:	183 mm / 7.2 inches
Width:	332 mm / 13.07 inches
Depth:	176 mm / 6.93 inches
Weight:	3.59 kg / 7.91 lbs

PENDANT SPEAKER

BS 5EN is a pendant speaker suitable for all those installations where high intelligibility for alarm messages broadcasting and great sound reproduction quality are required. Thanks to its IP65 protection grade, it can be installed both indoor and outdoor. Moreover, a modern and endearing design makes it the perfect product for environments where projectors are intended also as architectural elements and contribute to improve global aesthetics.



- 5" coaxial woofer with 0.75" dome tweeter.
- Power selectable (100 V): 20 W – 10 W – 5 W – 2.5 W.
- 88 dB sensitivity.
- Colour white RAL 9016.
- Flameproof ABS body, steel grille.
- In/out ceramic terminal block.
- Thermal fuse protection.
- Protection grade IP65.



CERTIFICATION

EN 54-24

CPR: 0068-CPR-058/2014



ACOUSTICAL SPECIFICATIONS

Frequency Response (-10dB):	80 Hz ÷ 20000 Hz
Max SPL @ 1m:	101 dB
Max SPL @ 4m:	89 dB
System Sensitivity:	88 dB
System Sensitivity 1W @ 4m:	76 dB
Coverage angle:	170°

POWER SECTION

Power Handling:	20 W RMS
Peak Power Handling:	80 W PEAK
Recommended Amplifier:	40 W
Protections:	Thermal fuse

TRANSDUCERS

Dome Tweeter:	0.75"
Woofer:	Coaxial 5.0"

INPUT/OUTPUT SECTION

Input connectors:	Ceramic screw terminals
Output connectors:	Ceramic screw terminals
Constant Voltage Transformer:	100 V
Power selection 1 (100 V):	20 W - 500 ohm
Power selection 2 (100 V):	10 W - 1000 ohm
Power selection 3 (100 V):	5 W - 2000 ohm
Power selection 4 (100 V):	2.5 W - 4000 ohm

PHYSICAL SPECIFICATIONS

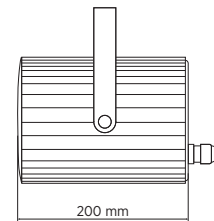
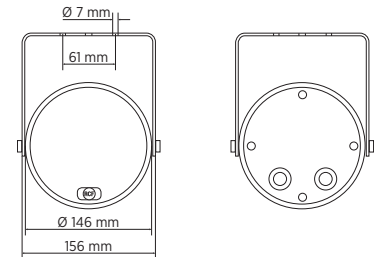
IP protection grade:	IP 65
Cabinet/Case Material:	ABS
Hardware:	Wall mount metal plate - 5m cable
Grille:	Steel
Color:	White - RAL 9016
Height:	261 mm / 10.28 inches
Width:	176 mm / 6.93 inches
Depth:	183 mm / 7.2 inches
Weight:	2.79 kg / 6.15 lbs

UNIDIRECTIONAL ALUMINIUM SOUND PROJECTOR

DP 1420EN is a unidirectional sound projector featuring an elegant aesthetic and easy installation, suitable for the sonorization of commercial and industrial environments where a good sound quality and high intelligibility and efficiency are required. It features a aluminum cylindrical body, grille and bracket. Ground screw available (if needed). Thanks to its IP66 protection grade, it can be installed both indoor and outdoor.



- 5" fullrange transducer.
- Power selectable (100 V): 20 W – 10 W – 5 W – 2.5 W – 1.25 W.
- 92 dB sensitivity.
- Colour grey RAL 7035.
- Aluminium body, grille and bracket.
- In/out ceramic terminal block.
- Thermal fuse protection.
- Protection grade IP66.



CERTIFICATION

EN 54-24

CPR: 1488-CPR-0485/W



ACOUSTICAL SPECIFICATIONS

Frequency Response (-10dB):	160 Hz ÷ 20000 Hz
Max SPL @ 1m:	105 dB
Max SPL @ 4m:	93 dB
System Sensitivity:	92 dB
System Sensitivity 1W @ 4m:	80 dB
Coverage angle:	155°

POWER SECTION

Power Handling:	20 W RMS
Peak Power Handling:	80 W PEAK
Recommended Amplifier:	40 W
Protections:	Thermal fuse

TRANSDUCERS

Fullrange:	5.0"
------------	------

INPUT/OUTPUT SECTION

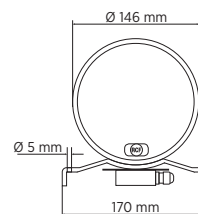
Input connectors:	Ceramic screw terminals
Output connectors:	Ceramic screw terminals
Constant Voltage Transformer:	70/100 V
Power selection 1 (100 V):	20 W - 500 ohm
Power selection 2 (100 V):	10 W - 1000 ohm
Power selection 3 (100 V):	5 W - 2000 ohm
Power selection 4 (100 V):	2.5 W - 4000 ohm
Power selection 5 (100 V):	1.25 W - 8000 ohm

PHYSICAL SPECIFICATIONS

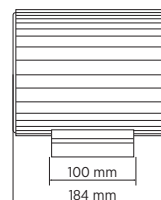
IP protection grade:	IP 66
Cabinet/Case Material:	Aluminium
Hardware:	Aluminium bracket
Grille:	Aluminium
Color:	Gray - RAL 7035
Depth:	200 mm / 7.87 inches
Diameter:	146 mm / 5.75 inches
Weight:	2.73 kg / 6.02 lbs

BIDIRECTIONAL ALUMINIUM SOUND PROJECTOR

BD 2412EN is a bidirectional sound projector featuring an elegant aesthetic and easy installation, suitable for the sonorization of commercial and industrial environments where a good sound quality and high intelligibility and efficiency are required. It features a aluminum cylindrical body, grille and bracket. Ground screw available (if needed). Thanks to its IP66 protection grade, it can be installed both indoor and outdoor.



- 2 x 5" fullrange transducers.
- Power selectable (100 V): 20 W – 10 W – 5 W.
- 88 dB sensitivity.
- Colour grey RAL 7035.
- Aluminum body, grille and bracket.
- In/out ceramic terminal block.
- Thermal fuse protection.
- Protection grade IP66.



CERTIFICATION

EN 54-24

CPR: 1488-CPR-0641/W



ACOUSTICAL SPECIFICATIONS

Frequency Response (-10dB):	130 Hz ÷ 20000 Hz
Max SPL @ 1m:	101 dB
Max SPL @ 4m:	89 dB
System Sensitivity:	88 dB
System Sensitivity 1W @ 4m:	76 dB
Coverage angle:	130°

POWER SECTION

Power Handling:	20 W RMS
Peak Power Handling:	80 W PEAK
Recommended Amplifier:	40 W
Protections:	Thermal fuse

TRANSDUCERS

Fullrange:	2 x 5.0"
------------	----------

INPUT/OUTPUT SECTION

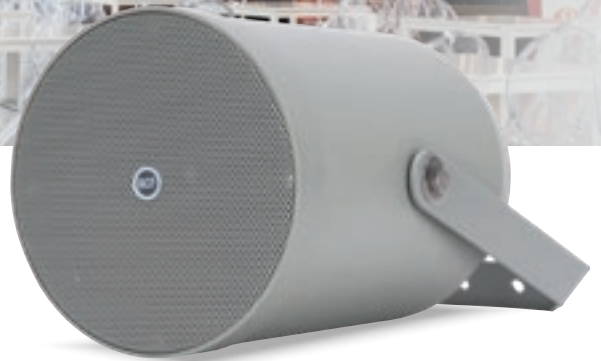
Input connectors:	Ceramic screw terminals
Output connectors:	Ceramic screw terminals
Constant Voltage Transformer:	100 V
Power selection 1 (100 V):	20 W - 500 ohm
Power selection 2 (100 V):	10 W - 1000 ohm
Power selection 3 (100 V):	5 W - 2000 ohm

PHYSICAL SPECIFICATIONS

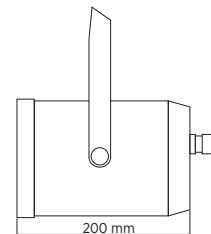
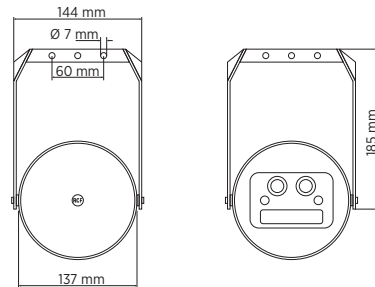
IP protection grade:	IP 66
Cabinet/Case Material:	Aluminium
Hardware:	Aluminium bracket
Grille:	Aluminium
Color:	Gray - RAL 7035
Depth:	184 mm / 7.24 inches
Diameter:	146 mm / 5.75 inches
Weight:	3.25 kg / 7.17 lbs

UNIDIRECTIONAL SOUND PROJECTOR

DP 4EN is a unidirectional sound projector featuring an elegant aesthetic and easy orientation, suitable for the sonorization of commercial and industrial environments where a good sound quality and high intelligibility and efficiency are required. It features a cylindrical plastic body with aluminum grille and U-bracket support. Thanks to its IP55 protection grade, it can be installed both indoor and outdoor.



- 4" fullrange transducer.
- Power selectable (100 V): 10 W – 5 W – 2.5 W.
- 91 dB sensitivity.
- Colour grey RAL 7035.
- Flameproof ABS body, aluminum grille and bracket.
- In/out ceramic terminal block.
- Thermal fuse protection.
- Protection grade IP55.



CERTIFICATION

EN 54-24

CPR: 0068-CPR-085/2017



ACOUSTICAL SPECIFICATIONS

Frequency Response (-10dB):	180 Hz ÷ 16000 Hz
Max SPL @ 1m:	101 dB
Max SPL @ 4m:	89 dB
System Sensitivity:	91 dB
System Sensitivity 1W @ 4m:	79 dB
Coverage angle:	180°

POWER SECTION

Power Handling:	10 W RMS
Peak Power Handling:	40 W PEAK
Recommended Amplifier:	20 W
Protections:	Thermal fuse

TRANSDUCERS

Fullrange:	4.0"
------------	------

INPUT/OUTPUT SECTION

Input connectors:	Ceramic screw terminals
Output connectors:	Ceramic screw terminals
Constant Voltage Transformer:	100 V
Power selection 1 (100 V):	10 W - 1000 ohm
Power selection 2 (100 V):	5 W - 2000 ohm
Power selection 3 (100 V):	2.5 W - 4000 ohm

PHYSICAL SPECIFICATIONS

IP protection grade:	IP 55
Cabinet/Case Material:	ABS
Grille:	Aluminium
Color:	Grigio - RAL 7035
Depth:	200 mm / 7.87 inches
Diameter:	137 mm / 5.39 inches
Weight:	1.3 kg / 2.87 lbs

MR 52EN B MR 52EN W

p/n 13100011

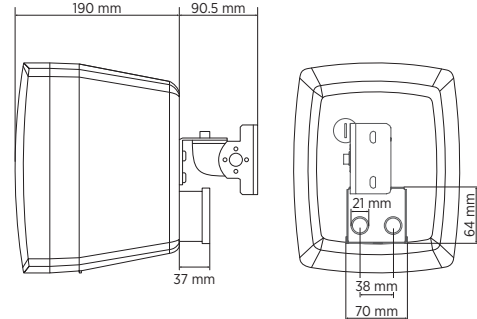
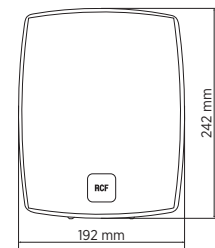
p/n 13100010

TWO-WAY BASS REFLEX SPEAKER

MR 52EN is a compact two-way speaker ideal for both alarm messages broadcasting and business music systems. The installation is fast and efficient using the adjustable mounting bracket (included). The enclosure is made of high-density ABS and includes a protective steel grille and connection cover. The terminal connection blocks, for input and output flameproof cables, are made of ceramic material. A thermal fuse protects the integrity of the line in case of heat affecting the speaker. Power selectable with dedicated switch.



- 5" woofer with 1" dome tweeter.
- Power selectable (100 V): 30 W – 15 W – 7.5 W – 3.75 W.
- 89 dB sensitivity.
- Colour white RAL 9016 or black RAL 9005.
- Flameproof ABS body, steel grille.
- In/out ceramic terminal block.
- Thermal fuse protection.



CERTIFICATION

EN 54-24

CPR: 1488-CPR-0591/W



ACOUSTICAL SPECIFICATIONS

Frequency Response (-10dB):	80 Hz ÷ 20000 Hz
Max SPL @ 1m:	103 dB
Max SPL @ 4m:	91 dB
System Sensitivity:	89 dB
System Sensitivity 1W @ 4m:	77 dB
Coverage angle:	180°

POWER SECTION

Power Handling:	30 W RMS
Peak Power Handling:	120 W PEAK
Recommended Amplifier:	60 W
Protections:	Thermal fuse

TRANSDUCERS

Dome Tweeter:	1.0"
Woofer:	5.0"

INPUT/OUTPUT SECTION

Input connectors:	Ceramic screw terminals
Output connectors:	Ceramic screw terminals
Constant Voltage Transformer:	100 V
Power selection 1 (100 V):	30 W - 333 ohm
Power selection 2 (100 V):	15 W - 667 ohm
Power selection 3 (100 V):	7.5 W - 1333 ohm
Power selection 4 (100 V):	3.75 W - 2667 ohm

PHYSICAL SPECIFICATIONS

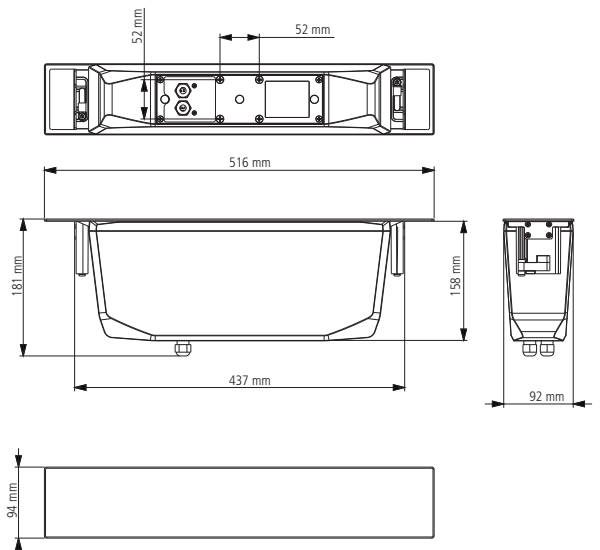
Cabinet/Case Material:	ABS
Grille:	Steel
Color:	White
Height:	242 mm / 9.53 inches
Width:	192 mm / 7.56 inches
Depth:	190 mm / 7.48 inches
Weight:	3 kg / 6.61 lbs

TWO-WAY CEILING SPEAKER



MF 33EN is a two-way ceiling speaker designed for recess installation into ceilings or panels. It is especially suitable for broadcasting background music into commercial spaces, but also alarm messages thanks to the highly intelligible voice reproduction. It features a plastic cabinet with steel magnetic grille, extremely easy to install. The terminal connection blocks, for input and output flameproof cables, are made of ceramic material. A thermal fuse protects the integrity of the line in case of heat affecting the speaker.

- 2 x 3" fullrange transducers with 1" dome tweeter.
- Power selectable (100 V): 40 W – 20 W – 10 W – 5 W – 2.5 W.
- 88 dB sensitivity.
- Colour black RAL 9005.
- Plastic body and steel grille.
- In/out ceramic terminal block.
- Thermal fuse protection.



CERTIFICATION

EN 54-24 **CPR: 0068-CPR-057/2019** **CE**

ACOUSTICAL SPECIFICATIONS

Frequency Response (-10dB):	80 Hz ÷ 22000 Hz
Max SPL @ 1m:	104 dB
Max SPL @ 4m:	92 dB
System Sensitivity:	88 dB
System Sensitivity 1W @ 4m:	76 dB
Horizontal coverage angle:	100°
Vertical coverage angle:	160°

POWER SECTION

Power Handling:	60 W RMS
Peak Power Handling:	240 W PEAK
Recommended Amplifier:	120 W
Protections:	Thermal fuse

TRANSDUCERS

Dome Tweeter:	1"
Fullrange:	2 x 3"

INPUT/OUTPUT SECTION

Input connectors:	Ceramic screw terminals
Output connectors:	Ceramic screw terminals
Constant Voltage Transformer:	70/100 V
Power selection 1 (100 V):	40 W - 250 ohm
Power selection 2 (100 V):	20 W - 500 ohm
Power selection 3 (100 V):	10 W - 1000 ohm
Power selection 4 (100 V):	5 W - 2000 ohm
Power selection 5 (100 V):	2.5 W - 4000 ohm

PHYSICAL SPECIFICATIONS

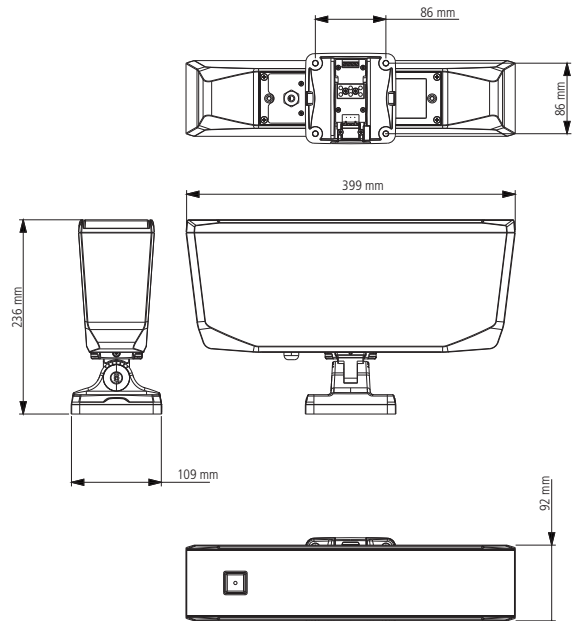
Cabinet/Case Material:	ABS
Grille:	Steel
Color:	Black
Height:	516 mm / 20.31 inches
Width:	94 mm / 3.7 inches
Depth:	181 mm / 7.13 inches
Recessed Depth:	178 mm / 7.01 inches
Weight:	3.4 kg / 7.5 lbs

TWO-WAY WALL MOUNT SPEAKER

WMF 33EN is a two-way wall mount speaker designed for both horizontal and vertical installation. It is especially suitable for broadcasting background music into commercial spaces, but also alarm messages thanks to the highly intelligible voice reproduction. It features a plastic cabinet with steel magnetic grille, extremely easy to install thanks to the smart support. The terminal connection blocks, for input and output flameproof cables, are made of ceramic material. A thermal fuse protects the integrity of the line in case of heat affecting the speaker.



- 2 x 3" fullrange transducers with 1" dome tweeter.
- Power selectable (100 V): 40 W – 20 W – 10 W – 5 W – 2.5 W.
- 88 dB sensitivity.
- Colour black RAL 9005.
- Plastic body and steel grille.
- In/out ceramic terminal block.
- Thermal fuse protection.
- Connections integrated in the wall support.



CERTIFICATION

EN 54-24

CPR: 0068-CPR-057/2019



ACOUSTICAL SPECIFICATIONS

Frequency Response (-10dB):	80 Hz ÷ 22000 Hz
Max SPL @ 1m:	104 dB
Max SPL @ 4m:	92 dB
System Sensitivity:	88 dB
System Sensitivity 1W @ 4m:	76 dB
Horizontal coverage angle:	100°
Vertical coverage angle:	160°

POWER SECTION

Potenza:	60 W RMS
Potenza di picco:	240 W PEAK
Amplificatore consigliato:	120 W
Protezioni:	Thermal fuse

TRANSDUCERS

Dome Tweeter:	1"
Fullrange:	2 x 3"

INPUT/OUTPUT SECTION

Input connectors:	Ceramic screw terminals
Output connectors:	Ceramic screw terminals
Constant Voltage Transformer:	70/100 V
Power selection 1 (100 V):	40 W - 250 ohm
Power selection 2 (100 V):	20 W - 500 ohm
Power selection 3 (100 V):	10 W - 1000 ohm
Power selection 4 (100 V):	5 W - 2000 ohm
Power selection 5 (100 V):	2.5 W - 4000 ohm

PHYSICAL SPECIFICATIONS

Cabinet/Case Material:	ABS
Grille:	Steel
Color:	Black
Height:	399 mm / 15.71 inches
Width:	92 mm / 3.62 inches
Depth:	236 mm / 9.29 inches
Weight:	5 kg / 11.02 lbs

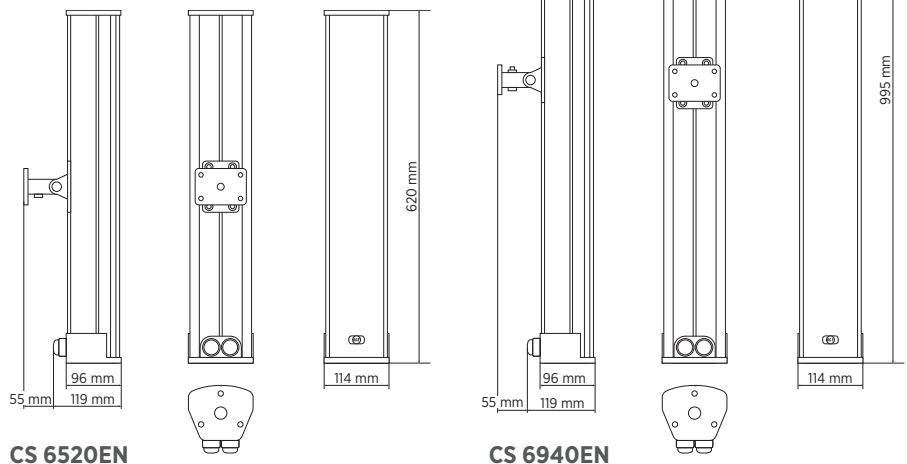
CS 6520EN p/n 13133079

CS 6940EN p/n 13100005

TWO-WAY COLUMN SPEAKER

CS 6520EN is a compact and elegant two-way column speaker providing highly intelligible voice reproduction, and suitable for installation into places of worship, stations, subways and many other environments. The terminal connection blocks, for input and output flameproof cables, are made of ceramic material. A thermal fuse protects the integrity of the line in case of heat affecting the speaker. Ground screw available (if needed). Thanks to its IP66 protection grade, it can be installed both indoor and outdoor.

- 4 x 3" (8 x 3" CS 6940EN) fullrange transducers with 0.75" dome tweeter.
- Power selectable (100 V): 20 W – 10 W – 5 W – 2.5 W – 1.25 W.
- Power selectable (100 V): 40 W – 20 W – 10 W – 5 W – 2.5 W (CS 6940EN).
- 93 dB (95 dB CS 6940EN) sensitivity.
- Colour white RAL 9003.
- Aluminium body, grille and bracket.
- In/out ceramic terminal block.
- Thermal fuse protection.
- Protection grade IP66.



CERTIFICATION

EN 54-24 CPR: 1488-CPR-0490/W

ACOUSTICAL SPECIFICATIONS	CS 6520EN	CS 6940EN
Frequency Response (-10dB):	140 Hz ÷ 20000 Hz	140 Hz ÷ 20000 Hz
Max SPL @ 1m:	105 dB	109 dB
Max SPL @ 4m:	93 dB	97 dB
System Sensitivity:	93 dB	95 dB
System Sensitivity 1W @ 4m:	81 dB	83 dB
Horizontal coverage angle:	185°	194°
Vertical coverage angle:	47°	30°

POWER SECTION	CS 6520EN	CS 6940EN
Power Handling:	20 W RMS	40 W RMS
Peak Power Handling:	80 W PEAK	160 W PEAK
Recommended Amplifier:	40 W	80 W
Protections:	Thermal fuse	Thermal fuse

TRANSDUCERS	CS 6520EN	CS 6940EN
Dome Tweeter:	0.75"	0.75"
Fullrange:	4 x 3.0"	8 x 3.0"

INPUT/OUTPUT SECTION	CS 6520EN	CS 6940EN
Input connectors:	Ceramic screw terminals	
Output connectors:	Ceramic screw terminals	
Constant Voltage Transformer:	70/100 V	
Power selection 1 (100 V):	20 W - 500 ohm	40 W - 250 ohm
Power selection 2 (100 V):	10 W - 1000 ohm	20 W - 500 ohm
Power selection 3 (100 V):	5 W - 2000 ohm	10 W - 1000 ohm
Power selection 4 (100 V):	2.5 W - 4000 ohm	5 W - 2000 ohm
Power selection 5 (100 V):	1.25 W - 8000 ohm	2.5 W - 4000 ohm

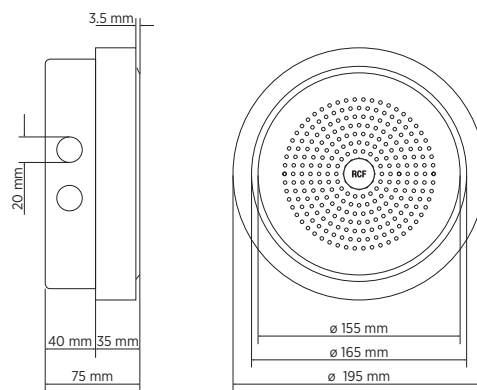
PHYSICAL SPECIFICATIONS	CS 6520EN	CS 6940EN
IP protection grade:	IP 66	
Cabinet/Case Material:	Aluminium	
Grille:	Aluminium	
Color:	White - RAL 9003	
Height:	620 mm / 24.41 in.	995 mm / 39.17 in.
Width:	114 mm / 4.49 in.	114 mm / 4.49 in.
Depth:	96 mm / 3.78 in.	96 mm / 3.78 in.
Weight:	4.2 kg / 9.26 lbs	7 kg / 15.43 lbs

WALL AND CEILING UNIVERSAL STEEL SPEAKER

DU 60EN is a universal speaker designed for wall and ceiling installation. It is especially suitable for broadcasting alarm messages thanks to the highly intelligible sound reproduction and its resistance to high temperatures reached during fires. The terminal connection blocks, for input and output flameproof cables, are made of ceramic material. A thermal fuse protects the integrity of the line in case of heat affecting the speaker. Ground screw available (if needed). Cables inside speaker made using flameproof leads.



- 5" fullrange transducer.
- Power selectable (100 V): 6 W – 3 W – 1.5 W – 0.75 W.
- 94 dB sensitivity.
- Colour white RAL 9016.
- Steel body and grille.
- In/out ceramic terminal block.
- Thermal fuse protection.



CERTIFICATION

EN 54-24

CPR: 1488-CPR-0488/W



ACOUSTICAL SPECIFICATIONS

Frequency Response (-10dB):	100 Hz ÷ 20000 Hz
Max SPL @ 1m:	100 dB
Max SPL @ 4m:	88 dB
System Sensitivity:	94 dB
System Sensitivity 1W @ 4m:	82 dB
Coverage angle:	180°

POWER SECTION

Power Handling:	6 W RMS
Peak Power Handling:	24 W PEAK
Recommended Amplifier:	12 W
Protections:	Thermal fuse

TRANSDUCERS

Fullrange:	5.0"
------------	------

INPUT/OUTPUT SECTION

Input connectors:	Ceramic screw terminals
Output connectors:	Ceramic screw terminals
Constant Voltage Transformer:	100 V
Power selection 1 (100 V):	6 W - 1667 ohm
Power selection 2 (100 V):	3 W - 3333 ohm
Power selection 3 (100 V):	1.5 W - 6667 ohm
Power selection 4 (100 V):	0.75 W - 13333 ohm

PHYSICAL SPECIFICATIONS

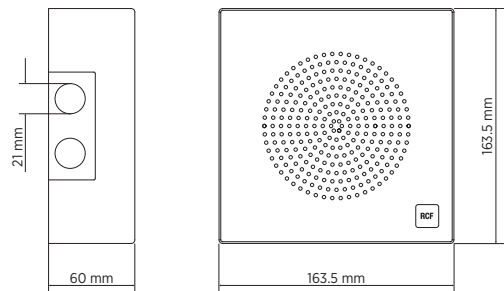
Cabinet/Case Material:	Metal
Grille:	Steel
Color:	White - RAL 9016
Depth:	75 mm / 2.95 inches
Diameter:	195 mm / 7.68 inches
Weight:	1.61 kg / 3.55 lbs

WALL AND CEILING UNIVERSAL STEEL SPEAKER

DU 50EN is a universal speaker designed for wall and ceiling installation. It is especially suitable for broadcasting alarm messages thanks to the highly intelligible sound reproduction and its resistance to high temperatures reached during fires. The terminal connection blocks, for input and output flameproof cables, are made of ceramic material. A thermal fuse protects the integrity of the line in case of heat affecting the speaker. Ground screw available (if needed). Cables inside speaker made using flameproof leads.



- 5" fullrange transducer.
- Power selectable (100 V): 6 W – 3 W – 1.5 W – 0.75 W.
- 91 dB sensitivity.
- Colour white RAL 9010.
- Steel body and grille.
- In/out ceramic terminal block.
- Thermal fuse protection.



CERTIFICATION

EN 54-24

CPR: 1488-CPR-0489/W



ACOUSTICAL SPECIFICATIONS

Frequency Response (-10dB):	190 Hz ÷ 18000 Hz
Max SPL @ 1m:	100 dB
Max SPL @ 4m:	88 dB
System Sensitivity:	91 dB
System Sensitivity 1W @ 4m:	79 dB
Coverage angle:	175°

POWER SECTION

Power Handling:	6 W RMS
Peak Power Handling:	24 W PEAK
Recommended Amplifier:	12 W
Protections:	Thermal fuse

TRANSDUCERS

Fullrange:	5.0"
------------	------

INPUT/OUTPUT SECTION

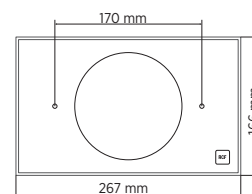
Input connectors:	Ceramic screw terminals
Output connectors:	Ceramic screw terminals
Constant Voltage Transformer:	100 V
Power selection 1 (100 V):	6 W - 1667 ohm
Power selection 2 (100 V):	3 W - 3333 ohm
Power selection 3 (100 V):	1.5 W - 6667 ohm
Power selection 4 (100 V):	0.75 W - 13333 ohm

PHYSICAL SPECIFICATIONS

Cabinet/Case Material:	Metal
Grille:	Steel
Color:	White - RAL 9010
Height:	164 mm / 6.46 inches
Width:	164 mm / 6.46 inches
Depth:	60 mm / 2.36 inches
Weight:	1.9 kg / 4.19 lbs

WALL MOUNT UNIVERSAL PLASTIC SPEAKER

DUP 5EN is a universal speaker designed for wall installation. It is especially suitable for broadcasting alarm messages thanks to the highly intelligible sound reproduction and its resistance to high temperatures reached during fires. The terminal connection blocks, for input and output flameproof cables, are made of ceramic material. A thermal fuse protects the integrity of the line in case of heat affecting the speaker. Cables inside speaker made using flameproof leads.



- 5.5" fullrange transducer.
- Power selectable (100 V): 6 W – 3 W – 1.5 W.
- 92 dB sensitivity.
- Colour white RAL 9016.
- Plastic body and steel grille.
- In/out ceramic terminal block.
- Thermal fuse protection.

CERTIFICATION

EN 54-24 **CPR: 0068-CPPR-085/2017** **CE**

ACOUSTICAL SPECIFICATIONS

Frequency Response (-10dB):	130 Hz ÷ 17000 Hz
Max SPL @ 1m:	100 dB
Max SPL @ 4m:	88 dB
System Sensitivity:	92 dB
System Sensitivity 1W @ 4m:	80 dB
Coverage angle:	180°

POWER SECTION

Power Handling:	6 W RMS
Peak Power Handling:	24 W PEAK
Recommended Amplifier:	12 W
Protections:	Thermal fuse

TRANSDUCERS

Fullrange:	5.5"
------------	------

INPUT/OUTPUT SECTION

Input connectors:	Ceramic screw terminals
Output connectors:	Ceramic screw terminals
Constant Voltage Transformer:	100 V
Power selection 1 (100 V):	6 W - 1667 ohm
Power selection 2 (100 V):	3 W - 3333 ohm
Power selection 3 (100 V):	1.5 W - 6667 ohm

PHYSICAL SPECIFICATIONS

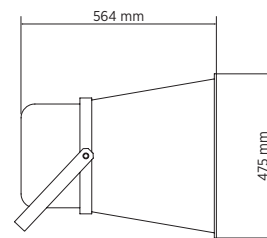
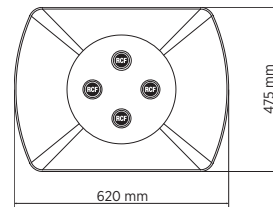
Cabinet/Case Material:	ABS
Grille:	Steel
Color:	White - RAL 9016
Height:	166 mm / 6.54 inches
Width:	267 mm / 10.51 inches
Depth:	80 mm / 3.15 inches
Weight:	1.15 kg / 2.54 lbs

LONG-THROW FIBERGLASS HORN SPEAKER

HD 6045EN is a fiberglass horn designed to withstand the most adverse weather conditions, offering high sound reproduction quality and sound pressure levels. A high level of efficiency and sound pressure can be obtained thanks to the use of 4 dynamic compression driver units. The terminal connection blocks, for input and output flameproof cables, are made of ceramic material. A thermal fuse protects the integrity of the line in case of heat affecting the speaker.



- 4 x 2" compression drivers.
- Rated power (100 V): 200 W.
- 101 dB sensitivity.
- Colour white RAL 9003.
- Fiberglass body.
- In/out ceramic terminal block.
- Thermal fuse protection.
- Protection grade IP65.



CERTIFICATION

EN 54-24 CPR: 0068-CPR-030/2015 

ACOUSTICAL SPECIFICATIONS

Frequency Response (-10dB):	200 Hz ÷ 10000 Hz
Max SPL @ 1m:	124 dB
Max SPL @ 4m:	112 dB
System Sensitivity:	101 dB
System Sensitivity 1W @ 4m:	89 dB
Horizontal coverage angle:	60°
Vertical coverage angle:	50°

POWER SECTION

Power Handling:	200 W RMS
Peak Power Handling:	800 W PEAK
Recommended Amplifier:	400 W
Protections:	Thermal fuse

TRANSDUCERS

Compression Driver:	4 x 2.0"
---------------------	----------

INPUT/OUTPUT SECTION

Input connectors:	Ceramic screw terminals
Output connectors:	Ceramic screw terminals
Constant Voltage Transformer:	100 V
Power selection 1 (100 V):	200 W - 50 ohm

PHYSICAL SPECIFICATIONS

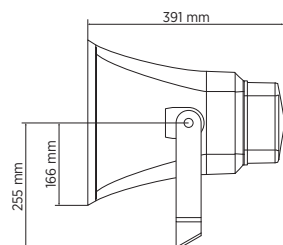
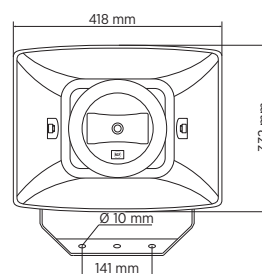
IP protection grade:	IP 65
Cabinet/Case Material:	Vetroresina
Color:	White - RAL 9003
Height:	475 mm / 18.7 inches
Width:	620 mm / 24.41 inches
Depth:	564 mm / 22.2 inches
Weight:	10.5 kg / 23.15 lbs

TWO-WAY PLASTIC HORN SPEAKER



MH 61EN is a two-way plastic horn speaker suitable for both broadcasting alarm messages (thanks to the highly intelligible voice reproduction) and background music, and can be used for sound reinforcement and speech systems in medium and large spaces. The terminal connection blocks, for input and output flameproof cables, are made of ceramic material. A thermal fuse protects the integrity of the line in case of heat affecting the speaker. It can be easily aimed towards any direction through the adjustable wall-mount bracket, and thanks to its IP66 protection grade it can be installed both indoor and outdoor.

- 6.5" woofer with 1" dome tweeter.
- Power selectable (100 V): 60 W – 30 W – 15 W – 7.5 W.
- 99 dB sensitivity.
- Colour grey RAL 7035.
- Plastic body.
- In/out ceramic terminal block.
- Thermal fuse protection.
- Protection grade IP66.



CERTIFICATION

EN 54-24

CPR: 1488-CPR-0672/W



ACOUSTICAL SPECIFICATIONS

Frequency Response (-10dB):	100 Hz ÷ 20000 Hz
Max SPL @ 1m:	115 dB
Max SPL @ 4m:	103 dB
System Sensitivity:	99 dB
System Sensitivity 1W @ 4m:	87 dB
Horizontal coverage angle:	70°
Vertical coverage angle:	90°

POWER SECTION

Power Handling:	60 W RMS
Peak Power Handling:	240 W PEAK
Recommended Amplifier:	120 W
Protections:	Thermal fuse

TRANSDUCERS

Tweeter:	1"
Woofer:	6.5"

INPUT/OUTPUT SECTION

Input connectors:	Ceramic screw terminals
Output connectors:	Ceramic screw terminals
Constant Voltage Transformer:	100 V
Power selection 1 (100 V):	60 W - 167 ohm
Power selection 2 (100 V):	30 W - 333 ohm
Power selection 3 (100 V):	15 W - 667 ohm
Power selection 4 (100 V):	7.5 W - 1333 ohm

PHYSICAL SPECIFICATIONS

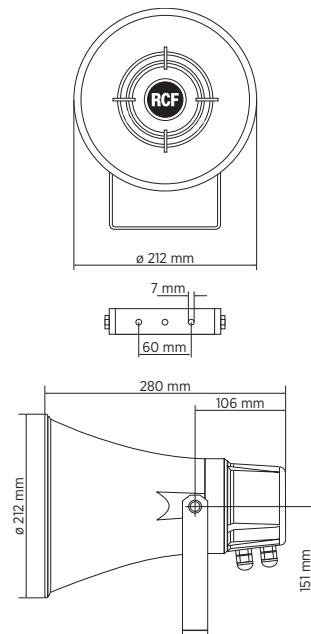
IP protection grade:	IP 66
Cabinet/Case Material:	ABS
Hardware:	Staffa in acciaio
Color:	Grigio - RAL 7035
Height:	332 mm / 13.07 inches
Depth:	418 mm / 16.46 inches
Width:	391 mm / 15.39 inches
Weight:	7.35 kg / 16.2 lbs

PLASTIC HORN SPEAKER



HD 21EN is a plastic horn speaker suitable for broadcasting alarm messages thanks to the highly intelligible sound reproduction and its environmental resistance. The terminal connection blocks, for input and output flameproof cables, are made of ceramic material. A thermal fuse protects the integrity of the line in case of heat affecting the speaker. It can be easily aimed towards any direction through the adjustable wall-mount bracket, and thanks to its IP66 protection grade it can be installed both indoor and outdoor.

- 1.5" compression driver.
- Power selectable (100 V): 30 W – 15 W – 7.5 W – 3.75 W.
- 104 dB sensitivity.
- Colour grey RAL 7035.
- Plastic body.
- In/out ceramic terminal block.
- Thermal fuse protection.
- Protection grade IP66.



CERTIFICATION

EN 54-24 **CPR: 1488-CPR-0652/W** **CE**

ACOUSTICAL SPECIFICATIONS

Frequency Response (-10dB):	340 Hz ÷ 9000 Hz
Max SPL @ 1m:	117 dB
Max SPL @ 4m:	105 dB
System Sensitivity:	104 dB
System Sensitivity 1W @ 4m:	92 dB
Coverage angle:	135°

POWER SECTION

Power Handling:	30 W RMS
Peak Power Handling:	120 W PEAK
Recommended Amplifier:	60 W
Protections:	Thermal fuse

TRANSDUCERS

Compression Driver:	1.5"
---------------------	------

INPUT/OUTPUT SECTION

Input connectors:	Ceramic screw terminals
Output connectors:	Ceramic screw terminals
Constant Voltage Transformer:	100 V
Power selection 1 (100 V):	30 W - 333 ohm
Power selection 2 (100 V):	15 W - 667 ohm
Power selection 3 (100 V):	7.5 W - 1333 ohm
Power selection 4 (100 V):	3.75 W - 2667 ohm

PHYSICAL SPECIFICATIONS

IP protection grade:	IP 66
Cabinet/Case Material:	ABS
Hardware:	Staffa in acciaio inox
Color:	Grigio
Depth:	280 mm / 11.02 inches
Diameter:	212 mm / 8.35 inches
Weight:	2 kg / 4.41 lbs

FIRE RESISTANT LOUDSPEAKER CABLES



The CV Series cables are suitable for the transmission of electrical signals and commands for those applications where maximum security is required in situations of fire alarm. They ensure the transmission of the signal to emergency speakers even when exposed to flames, allowing the safe evacuation of the environments where they are installed. The CV Series cable are suitable for fixed installation indoors in wet or normal environments, and temporarily outside. They can be installed on platforms, pipes, conduits and similar systems.

CV 215 p/n 14380031

SPEAKER CABLE 100V SECTION 2 X 1.5 MMQ

CV 225 p/n 14380032

SPEAKER CABLE 100V SECTION 2 X 2.5 MMQ



GENERAL SPECIFICATIONS	CV 215	CV 225
Number of conductors:	2	2
Conductors section (mm ²):	1.5	2.5
Overall diameter (mm):	7.80	9.20
Sheath material:	Mix LSZH, quality M1	Mix LSZH, quality M1
Sheath colour:	Violet	Violet
Insulation (V):	100 / 100	100 / 100
PHYSICAL SPECIFICATIONS		
Coil length (m):	200	200
STANDARD COMPLIANCE		
Standards:	CEI EN 60228	CEI EN 60228
	CEI EN 50363	CEI EN 50363
	CEI EN 60332-1-2	CEI EN 60332-1-2
	CEI EN 60332-3-25	CEI EN 60332-3-25
	CEI EN 50267-2-1/2	CEI EN 50267-2-1/2
	IEC 60754-1/2	IEC 60754-1/2
	CEI EN 61034-2	CEI EN 61034-2
	CEI EN 50200	CEI EN 50200



RACK COMPONENTS

FOR THE OPTIMUM MANAGEMENT OF THE SYSTEM CONFIGURATIONS

The structure is made of steel painted RAL 7035 light grey. The rack enclosures are bake-painted at high temperature using epoxy powders to make the structure unalterable over time and resistant to scratching, abrasion, and atmospheric agents. They are constructed in compliance with the IEC 297-2 dimensional standard, and the depth is 600 mm for all models.



BASIC STRUCTURE

The rack enclosures are composed of a basic structure that is assembled simply and quickly by fitting and securing four steel uprights to the upper and lower panels.

CR 2600

RACK ENCLOSURES

CR 2600 series rack cabinets are designed to hold all RCF 19" rack standard components. The rack enclosures are bake-painted at high temperature using epoxy powders to make the structure unalterable over time and resistant to scratching, abrasion, and atmospheric agents. The CR 2600 series cabinets are composed of a basic structure that is assembled simply and quickly by fitting and securing four steel uprights to the upper and lower panels. Additional front doors with glass can complete the cabinet.



MODEL

CR 2642

CR 2628

Part number	17170082	17170081
Rack mounting	42 U	28 U
Base dimensions	600 x 600 mm / 23.62 x 23.62 inches	600 x 600 mm / 23.62 x 23.62 inches
Height	2090 mm / 82.28 inches	1490 mm / 58.66 inches
Weight	86 kg / 189.6 lbs	65.5 kg / 144.4 lbs
Color	Grey - RAL 7035	Grey - RAL 7035
IP protection grade	IP 30	IP 30
Max load	350 Kg / 771.6 lbs	320 Kg / 705.5 lbs
Ventilation system	Thermostat controlled	Thermostat controlled
Thermal dissipation 25 °c	3320 W	3280 W
Thermal dissipation 35 °c	2180 W	2160 W
Included accessories	-	-
Model door	AK 2642V	AK 2628V
Part number door	(17100010)	(17100009)



- They are constructed in compliance with the IEC 297-2 dimensional standard, and the depth is 600 mm for all models.
- The rack enclosures are bake-painted at high temperature using epoxy powders to make the structure unalterable over time and resistant to scratching, abrasion, and atmospheric agents.
- The lower door and side panels are fitted following the wiring operations to facilitate the insertion and connection of the components. The lower panel, which forms the base of the rack, has openings for the passage of external connection cables (speaker lines, power supply, data, etc.) that are sized and shaped to guarantee the electrical safety of the structure. The earthing of the rack complies with current safety regulations.
- For the optimisation of the internal wiring, supports are supplied to gather the cable and attach them in an orderly fashion. The packing materials can be reused for transport the enclosure once it has been wired.
- Front doors are also available, which are useful for to protect the components installed in the rack.



MODEL

CR 2615FV

CR 2609

	17170129	17170179
Part number	17170129	17170179
Rack mounting	15 U	9 U
Base dimensions	600 x 600 mm / 23.62 x 23.62 inches	600 x 500 mm / 23.62 x 19.69 inches
Height	770 mm / 30.31 inches	460 mm / 18.11 inches
Weight	30 kg / 66.14 lbs	24 kg / 52.91 lbs
Color	Grey - RAL 7035	Grey - RAL 7035
IP protection grade	IP 30	IP 30
Max load	100 Kg / 220.5 lbs	25 Kg / 55.11 lbs mountable on rack
Ventilation system	Thermostat controlled	Natural ventilation on sides
Thermal dissipation 25 °c	3130 W	100 W
Thermal dissipation 35 °c	2070 W	150 W
Included accessories	4 wheels with braking system	-
Model door	AK 2615V	(included)
Part number door	(17100008)	-

ACCESSORIES

CLOSURE PANELS



P AER



PU 2



PU 3



PU 4

Part number	17130149	17170146	17170147	17170148
Rack mounting:	1U	2U	3U	4U
Type:	Front ventilation panels	2U	3U	4U
Color:	RAL 9005 Nero	RAL 9005 Nero	RAL 9005 Nero	RAL 9005 Nero

RR 2601 p/n 17360038

RACK WHEELS KIT

- Wheels for RCF rack cabinets CR 2628 and CR 2642.
- The kit includes 2 wheels with brake and 2 swivel wheels. Wheel diameter: 80 mm
- The maximum applicable load does not change when wheels are mounted.



AR 2605 p/n 17360027

FRAME WITH POWER SOCKETS

- 5-socket frame, Schuko and Italian standard, on back-rack support 2U.
- 16A total capacity; cable included
- Portion of Omega bar for installing 5 Omega standard modules





AR 1050-N p/n 17360039

RACK LATERAL SUPPORT

- Accessory for installation in RCF CR2600 series racks



BH 1042 p/n 17360040

BATTERY HOLDER

- Universal battery holder for RCF series "CR 2600"



ALPHABETICAL INDEX

ITEM	P/N	PAG.	ITEM	P/N	PAG.	ITEM	P/N	PAG.
AC 7212	17170152	16	DP 4EN	13100021	44	MX 3500/4	12100010	24
AR 1050-N	17360039	61	DP 5EN	13133076	39	MX 3500/6	12100011	24
AR 2605	17360027	60	DU 50EN	13133064	50	P AER1	17130149	60
BATT 18AH 2X	13360317	28	DU 60EN	13133083	49	PL 50EN	13100007	37
BD 2412EN	13133074	43	DUP 5EN	13100019	51	PL 68EN	13133082	36
BD 5EN	13133077	40	DXT 3000 PLANNER		29	PL 70EN	13133065	35
BE 3806	14380036	26	EL 7001	63531167	17	PL 82EN	13100009	34
BH 1042	17360040	61	EOL 3-9	17170176	29	PLP 50EN	13100008	38
BM 3804	14380028	26	HD 21EN	13133075	54	PS 6648	17100006	18
BM 3804 FM	14380037	26	HD 6045EN	13133085	52	PU 2	17170146	60
BM 7608	14322015	14	IE 3008	12399015	28	PU 3	17170147	60
BM 7608D	14322016	14	IT 3010	12399049	28	PU 4	17170148	60
BM 7608DFM	14322014	14	LI 7903	17170141	17	RC 3005	12399044	29
BM 7624D	14322018	14	LT 7208EN	17170156	11	RO 7102	17170151	16
BS 5EN	13133078	41	ME 3801	14322030	26	RR 2601	17360038	60
CJ 428CAT	12399047	19	MF 33EN	13100043	46	SI 7120	17170153	16
CJ 428E	14380021	19	MG 3006	13360344	28	SV 7982	17170140	17
CR 2609	17170179	59	MH 61EN	13100042	53	UP 8501	12135070	12
CR 2615 FV	17170129	59	MR 52EN B	13100011	45	UP 8502	12135077	12
CR 2628	17170081	58	MR 52EN W	13100010	45	UP 8504	12135079	12
CR 2642	17170082	58	MT 7308	17170159	10	WMF 33EN	13100046	47
CS 6520EN	13133079	48	MU 7100EN	17170157	8			
CS 6940EN	13100005	48	MX 3250/2	17170177	25			
CV 215	14380031	55	MX 3250/4	17170183	25			
CV 225	14380032	55	MX 3250/6	17170184	25			
DP 1420EN	13133071	42	MX 3500/2	12100009	24			



www.rcf.it

HEADQUARTERS:

RCF S.p.A. Italy
tel. +39 0522 274 411
e-mail: info@rcf.it

RCF UK
Int. +44 (0) 1702 800846
e-mail: info@rcfaudio.co.uk

RCF France
tel. +33 6 24 15 81 76
e-mail: france@rcf.it

RCF Germany
tel. +49 2203 925370
e-mail: germany@rcf.it

RCF Spain
tel. +34 91 817 42 66
e-mail: info@rcfaudio.es

RCF Benelux
tel. +49 (0) 2203 9253724
e-mail: benelux@rcf.it

RCF USA Inc.
tel. +1 732-9026100
e-mail: info@rcf-usa.com